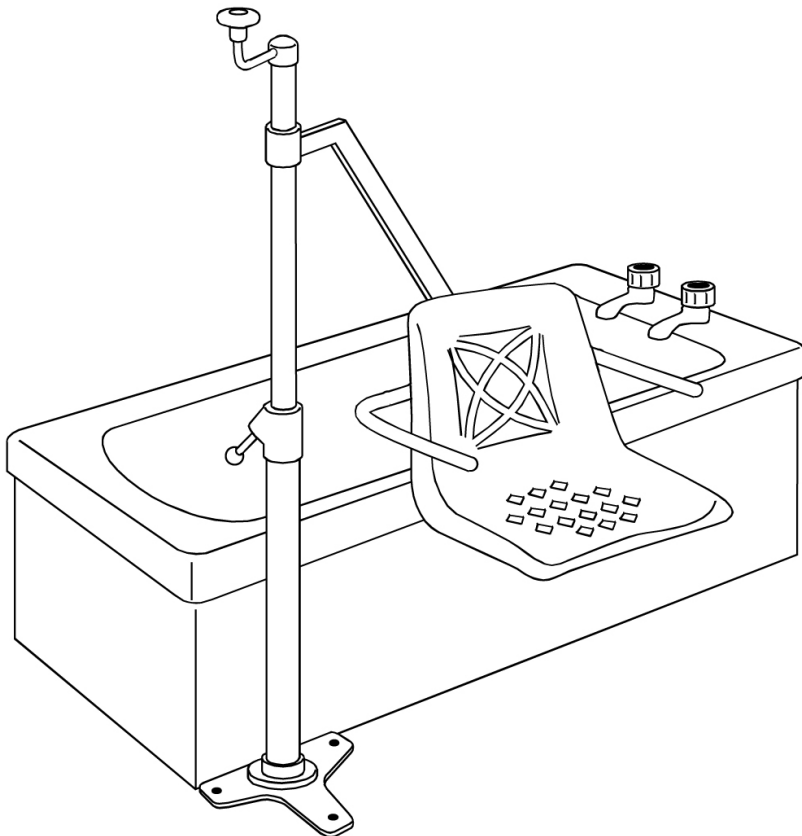
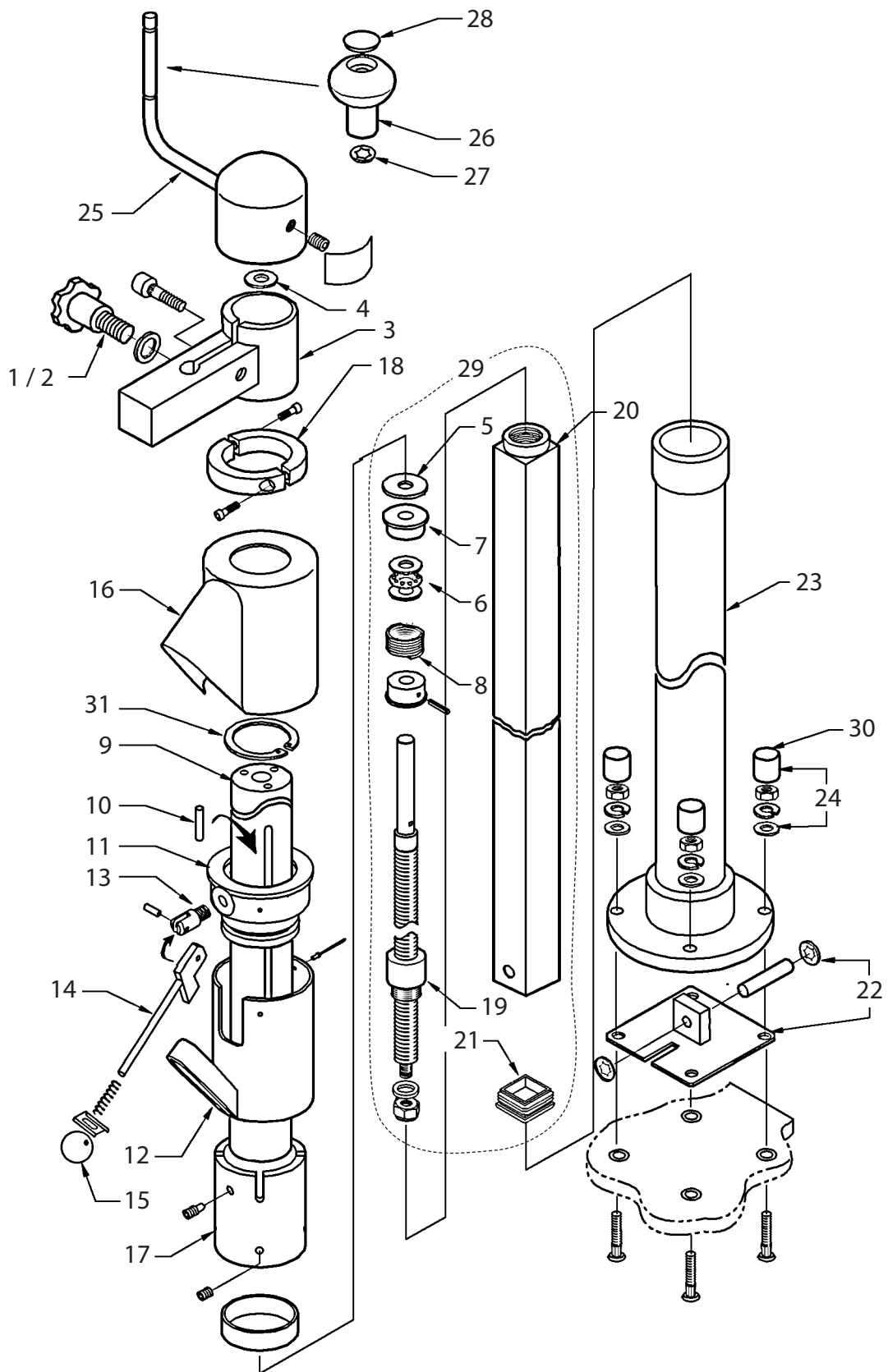


Parts Manual

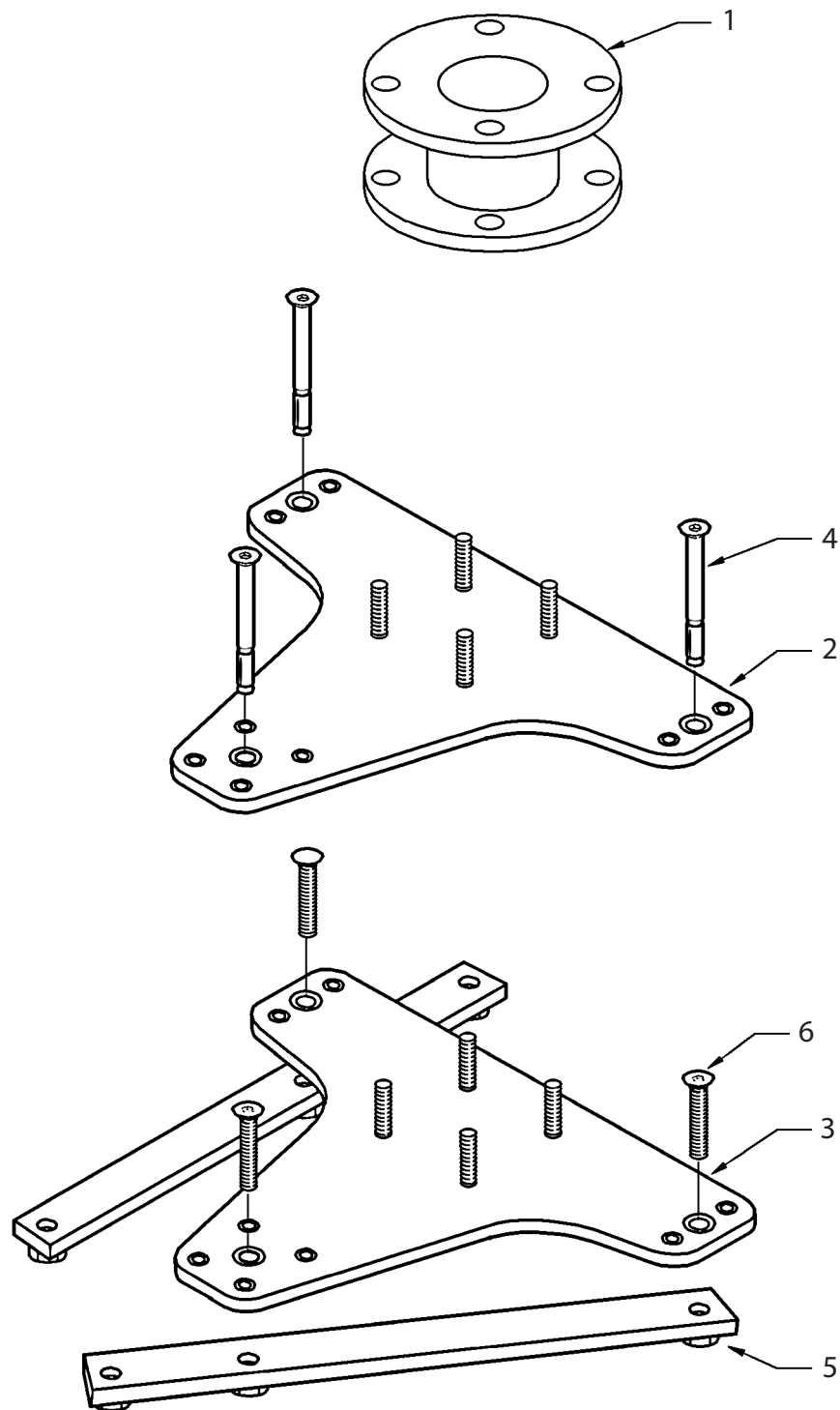
Oxford® Mermaid



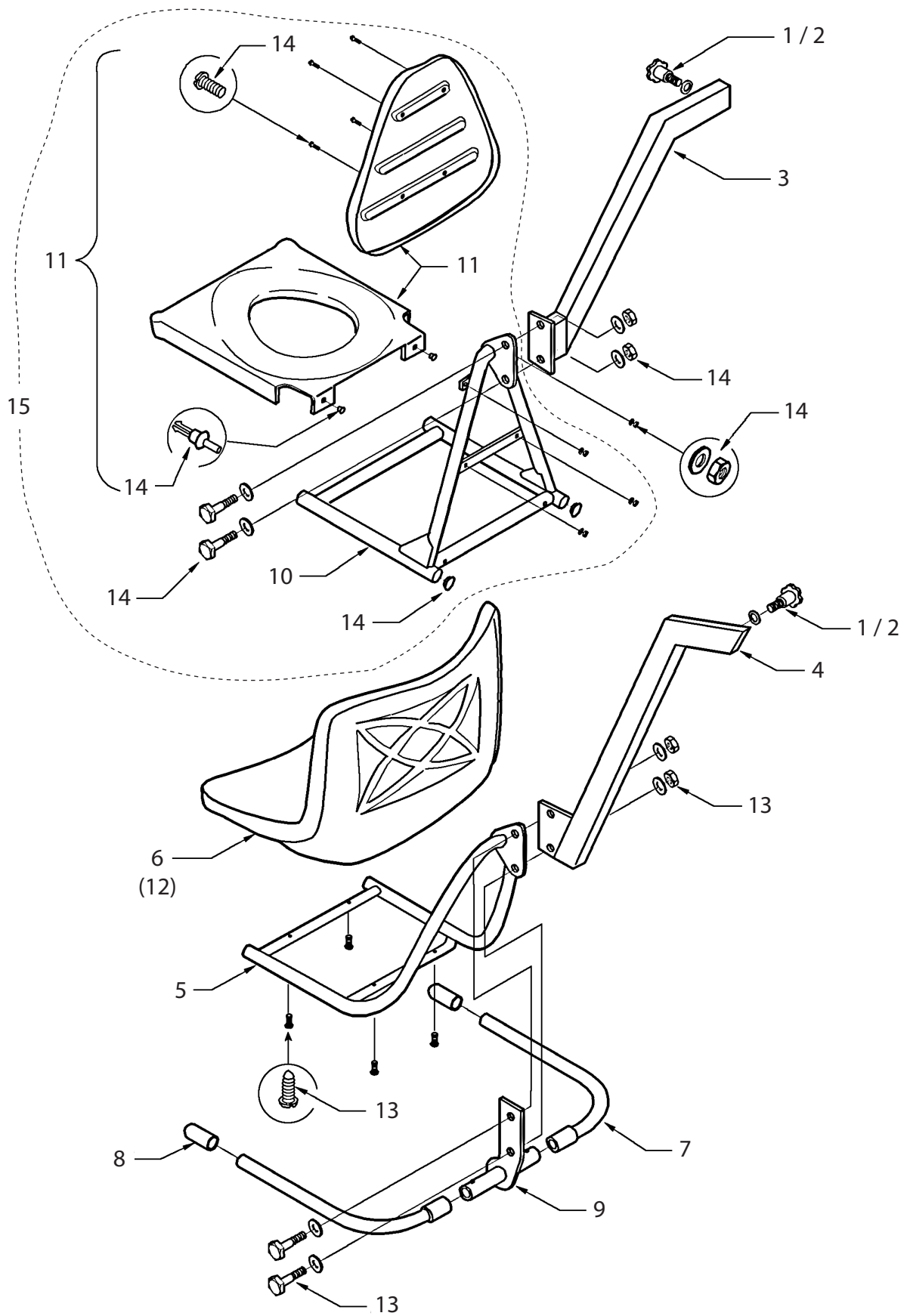
| NO | PART NUMBER | DESCRIPTION | QTY | SERIAL NO. |
|-----|--------------|---|-----|------------|
| 1 | 80008 | Seat arm security screw (5/16 UNF) (Prior 1997) | 1 | |
| 2 | 324-02010 | Seat arm security screw (M8) (1997 onwards) | 1 | |
| 3 | 808003.10052 | Seat support clamp | Kit | |
| 4 | 381-40020 | Thrust washer - PTFE | 1 | |
| 5 | 381-30040 | Thrust washer - BRONZE | 1 | |
| 6 | 381-10030 | Thrust bearing | 1 | |
| 7 | MX/0176 | Thrust collar | 1 | |
| 8 | MX/0177 | Clutch drive spring | 1 | |
| 9 | 808003.10053 | Sliding tube assembly | Kit | |
| 10 | 80066 | Sliding tube key (set of 3) | 3 | |
| 11 | 808003.10054 | Column hub assembly | Kit | |
| 12 | MX/0333 | Latch tube | 1 | |
| 13 | 808003.10055 | Latch clevis | Kit | |
| 14 | 808003.10056 | Locking handle complete | Kit | |
| 15 | 322-11010 | White knob | 10 | |
| 16 | 80067 | Locking mechanism cover | 1 | |
| 17 | 808003.10057 | Column collar (4 position) | Kit | |
| | 808003.10058 | Column collar (8 position) [OBSOLETE] | Kit | |
| 18 | 808003.10059 | Stop collar | Kit | |
| 19 | 808003.10060 | Leadscrew and nut assembly | Kit | |
| 20 | 80046 | Square leadscrew tube | 1 | |
| 21 | 322-22020 | Grease bung - Square black plug | 1 | |
| 22 | 808003.10061 | Retaining plate assembly | Kit | |
| 23 | 80065 | Column only | 1 | |
| 24 | 808003.10063 | Column/baseplate fixings | Kit | |
| 25 | 808003.10076 | Attendant winding handle complete | Kit | |
| 26 | 291001.10351 | Plastic winding handle and fixings | 1 | |
| 27 | 218-33004 | Starlock washer | 1 | |
| 28 | 80082 | Starlock capped | 1 | |
| 29 | 648001.10351 | Sub assembly square tube | 1 | |
| 30 | 322-41005 | White cap | 1 | |
| 31 | 219-19015 | Circlip | 1 | |
| N/S | 0P10002 | Electric column assembly complete (Without charger) (not shown) | 1 | |
| N/S | 0P10000 | Manual column assembly complete (not shown) | 1 | |
| N/S | 39001298 | Electric column assembly with UK charger (not shown) | 1 | |
| N/S | 39001299 | Electric column assembly with EU charger (not shown) | 1 | |



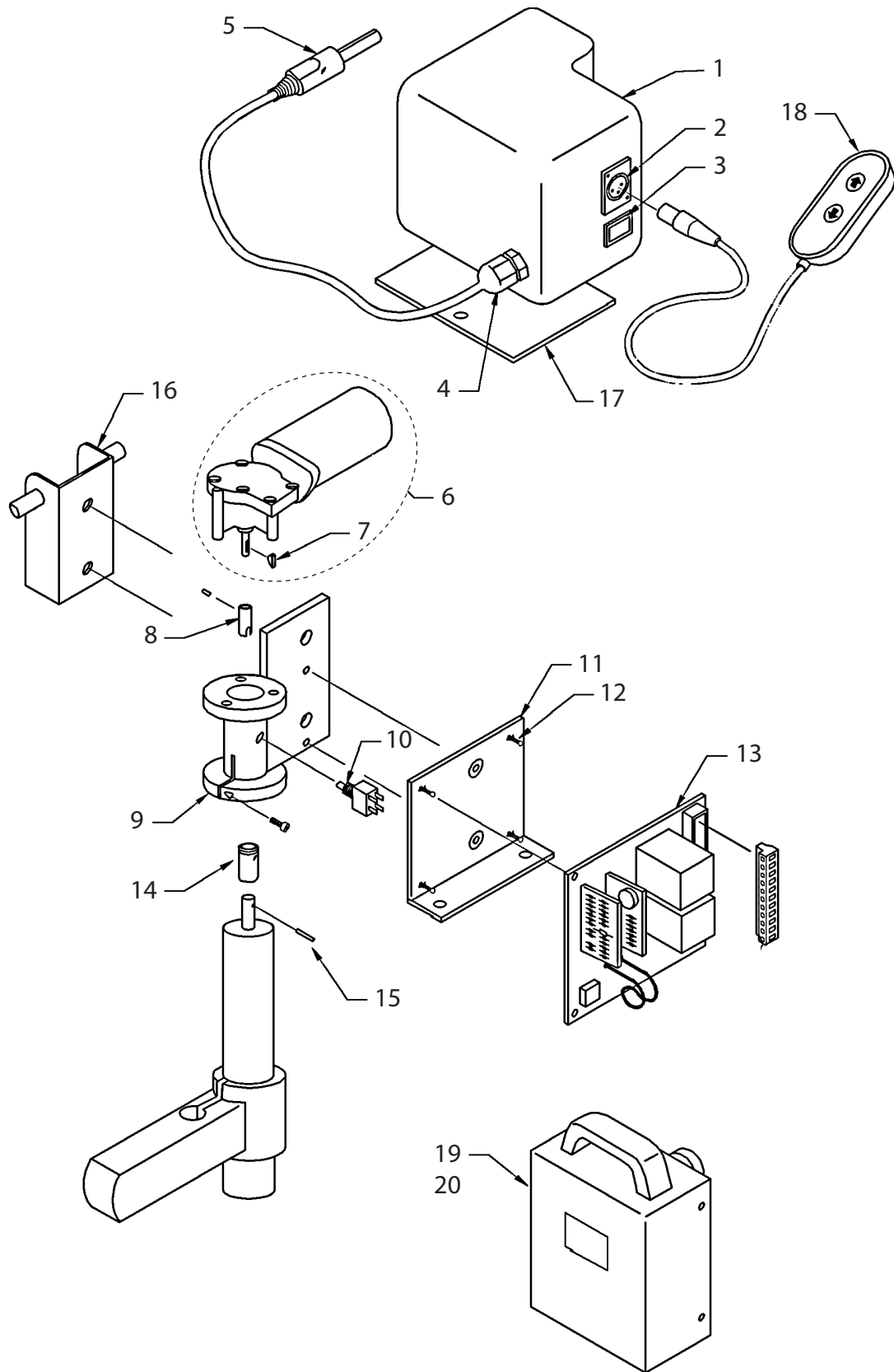
| NO | PART NUMBER | DESCRIPTION | QTY | SERIAL NO. |
|----|--------------|---|-----|------------|
| 1 | OP10012 | 75mm column extension (complete with fixings) | Kit | |
| 2 | 808003.10064 | Universal baseplate for concrete floor | Kit | |
| 3 | 808003.10065 | Universal baseplate for wood floor | Kit | |
| 4 | 211-16915 | Concrete floor bolt (LIEBIG SK15/70) | 1 | |
| 5 | 808003.10066 | Wood floor fixing straps (M12 X 70) | Kit | |
| 6 | 213-26820 | Wood floor fixing screw | 1 | |



| NO | PART NUMBER | DESCRIPTION | QTY | SERIAL NO. |
|-----|--------------|---|-----|------------|
| 1 | 80008 | Seat arm security screw (5/16 UNF) (prior to 1997) | 1 | |
| 2 | 324-02010 | Seat arm security screw (M8) (1997 onwards) | 1 | |
| 3 | 808003.10067 | Mermaid seat support arm complete - side fit (Standard and Commode) | Kit | |
| 4 | 808003.10068 | Mermaid seat support arm complete - end fit (Standard and Commode) | Kit | |
| 5 | 808003.10069 | Mermaid seat frame (Standard) | Kit | |
| 6 | 808003.10070 | Mermaid plastic seat (Standard) | Kit | |
| 7 | 808003.10071 | Safety arms complete (Standard and Commode) | Kit | |
| 8 | 323-11010 | Handgrip | 1 | |
| 9 | 808003.10072 | Safety arms pivot complete (Standard and Commode) | Kit | |
| 10 | 808003.10073 | Mermaid commode seat frame | Kit | |
| 11 | 808003.10074 | Ranger/Commode plastic seat complete (seat, backrest & fixings) | Kit | |
| 12 | 808003.10075 | Padded Mermaid seat complete - standard seat | Kit | |
| 13 | 808003.10077 | Mermaid seat fixings & trims (Standard) | Kit | |
| 14 | 808003.10078 | Commode seat fixings & trims | Kit | |
| 15 | 80013 | Seat frame complete (frame, arms, arm pivot) | Kit | |
| N/S | 808003.10086 | Padded seat complete (Ranger and Commode) (not shown) | Kit | |
| N/S | 322-42030 | Plastic feet (not shown) [OBSOLETE] | Kit | |
| N/S | 80017 | Large round seat plugs (not shown) [OBSOLETE] | 9 | |
| N/S | 750210J2 | Lap strap (not shown) | 1 | |
| N/S | 50070 | Full harness (not shown) | 1 | |
| N/S | 000412.10045 | Mermaid Decal Set (not shown) | 1 | |



| NO | PART NUMBER | DESCRIPTION | QTY | SERIAL NO. |
|-----|--------------|--|-----|------------|
| 1 | MX/3674 | Plastic main cover | 1 | |
| 2 | EL/3868 | Hand control socket - (3 pin axle - wired) | 1 | |
| 3 | EL/3867 | Emergency raise switch - wired (old switch - square) [OBSOLETE] | 1 | |
| | EL/3872 | Emergency raise switch - wired (new switch - oblong) | 1 | |
| 4 | 331-00008 | Cable gland | 1 | |
| 5 | EL/3866 | Power/charger plug (straight) - wired | 1 | |
| 6 | 808003.10088 | Motor complete - including Woodruff key | Kit | |
| 7 | 348-10012 | Woodruff key - motor shaft | 1 | |
| 8 | 808003.10089 | Driveshaft complete | Kit | |
| 9 | 808003.10090 | Motor mounting complete | Kit | |
| 10 | EL/3870 | Microswitch limit switch - wired | 1 | |
| 11 | 808003.10091 | PCB mounting plate complete | Kit | |
| 12 | 000934.10201 | PCB mounting pillar | 4 | |
| 13 | 200001.10050 | Control PCB - Clarkes with edge connector | 1 | |
| 14 | MX/3607 | Leadscrew coupling | 1 | |
| 15 | 000936.10350 | Leadscrew coupling pin / spirol pin (M5 X 30) | 1 | |
| 16 | 808003.10092 | Battery box mounting bracket complete | Kit | |
| 17 | 808003.10093 | Splash guard complete | Kit | |
| 18 | MX/3885 | Hand control | 1 | |
| 19 | TS-2923W | Power pack complete | 1 | |
| 20 | 337-00050 | Battery 12VDC 3.2AHR | 1 | |
| N/S | 335-00020 | Fuse 25a | 10 | |
| N/S | OP10005 | Retro-fit kit (excluding charger) (not shown) | Kit | |
| N/S | 338-00090 | Charger (230V) (not shown) UK | 1 | |
| N/S | 338-00094 | Charger (110V) (not shown) USA | 1 | |
| N/S | MX/3757 | Drilling jig (not shown) [OBSOLETE] | 1 | |
| N/S | EL/3716 | Power/charger socket - wired (not shown) | 1 | |
| N/S | 332-00085 | Power/charger socket - not wired (not shown) | 1 | |
| N/S | 808003.10017 | Emergency stop button (not shown) | 1 | |



| NO | PART NUMBER | DESCRIPTION | QTY | SERIAL NO. |
|-----|--------------|---|-----|------------|
| 1 | 808003.10079 | Ranger seat support arm - side fit (Mermaid only) (Includes arm safety latch) | Kit | |
| 2 | 808003.10080 | Ranger seat support arm - end fit (Mermaid only) (Includes arm safety latch) | Kit | |
| 3 | 808003.10155 | Arm safety latch complete | Kit | |
| 4 | 808003.10156 | Ranger arms fixings & fittings kit (pack of 10) | Kit | |
| 5 | 808003.10081 | Ranger chair frame only | Kit | |
| 6 | 808003.10082 | Armrests complete | Kit | |
| 7 | 323-11010 | White hand grip | 1 | |
| 8 | 808003.10074 | Seat, backrest & fixings (Ranger and Commode) | 1 | |
| 9 | 808003.10157 | Securing hook complete | Kit | |
| 10 | 808003.10087 | Ranger seat fixings & trims | Kit | |
| 11 | DT/0201 | Transporter frame only | 1 | |
| 12 | 808003.10083 | Transporter safety latch | Kit | |
| 13 | 808003.10084 | Foot rest assembly | Kit | |
| 14 | 311-41110 | Castor 100mm braked (without fixings) | 1 | |
| 15 | 311-42110 | Castor 100mm plain (without fixings) | 1 | |
| 16 | DT/2183 | Foot rest bush | 8 | |
| 17 | OP10010 | Bed pan cradle | 1 | |
| 18 | 83013 | Ranger seat complete (Includes lap strap) | Kit | |
| 19 | 83035 | Ranger Transporter complete | Kit | |
| N/S | OP10011 | Seat moulding - plain (shower seat) (not shown) | 1 | |
| N/S | 808003.10158 | Transporter fixing & fittings kit (not shown) | Kit | |
| N/S | 808003.10086 | Padded seat complete (not shown) (Ranger and Commode) | Kit | |
| N/S | 83042 | Bed pan (not shown) | 1 | |
| N/S | 750210J2 | Lap strap (not shown) | 1 | |
| N/S | 50070 | Full harness (not shown) | 1 | |

