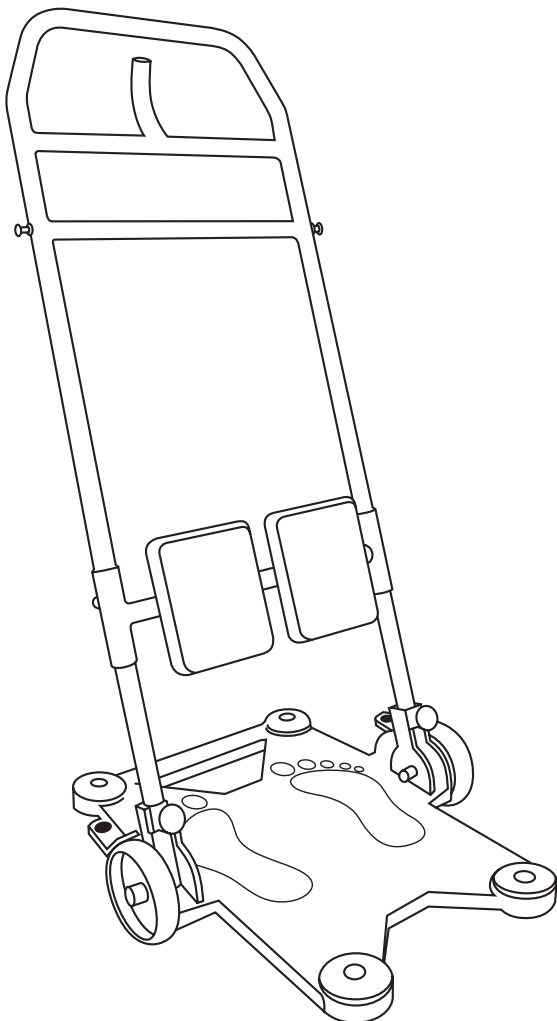


Parts Manual

Oxford® Switch



| NO | PART NUMBER | DESCRIPTION | QTY |
|-----|-------------|---|-----|
| 1 | 39001833 | Corner Castors (Inc. Castors x4, Fixings) | 1 |
| 2 | 39001834 | Centre Wheels (Inc. Wheels x2, Fixings) | 1 |
| 3 | 39001836 | Brake Pedal Assembly (Inc. Pedal x2, Red Tabs x2, Green Tabs x2, Fixings) | 1 |
| 4 | 39001838 | Knee Pads with Fixings (Inc. Knee Pad x2, Fixings) | 1 |
| 5 | 39001823 | Knee Pad Covers x2 | 1 |
| 6 | 39001839 | Frame Locking Knobs x2 | 1 |
| 7 | 39001840 | Quick Release Pins x2 (For Sliding Knee Pad Section) | 1 |
| N/S | 56000742 | Decal Set (Not shown) | 1 |

