

**drive**

**DeVilbiss**<sup>®</sup>  
HEALTHCARE



**Wheeled Commode**  
**Instruction Manual**

## Introduction

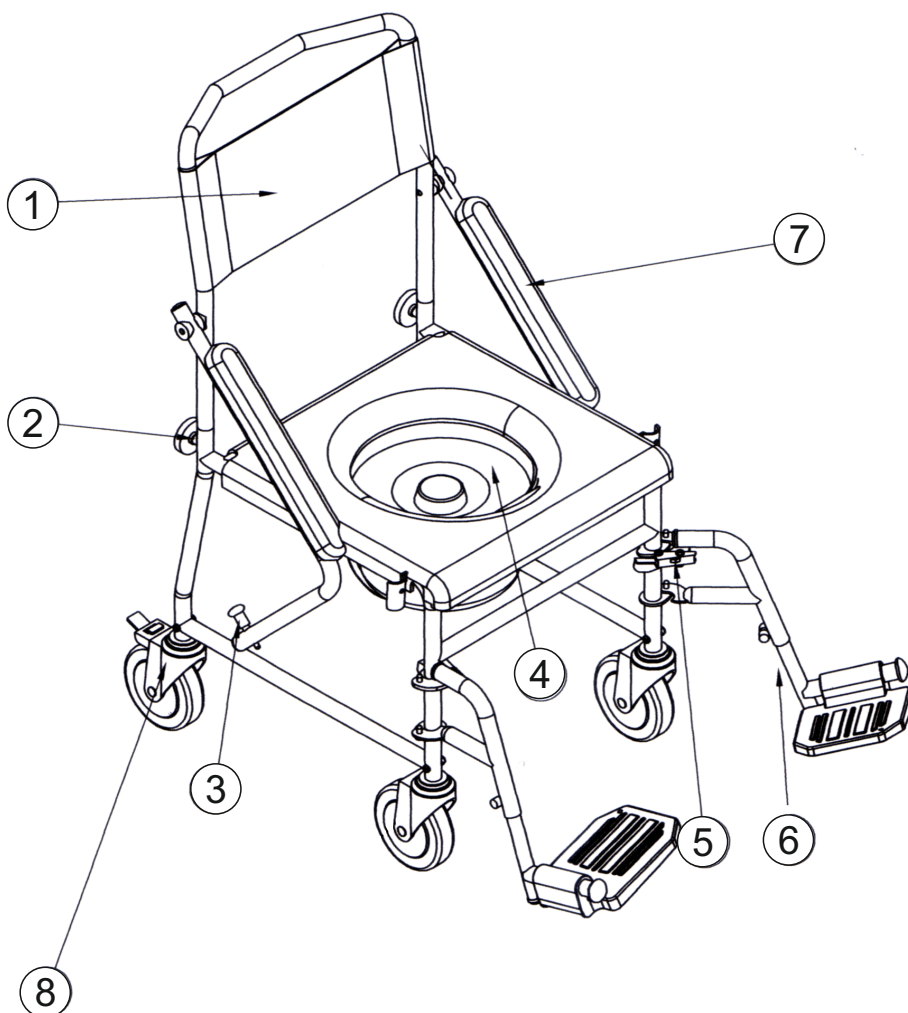
Thank you for choosing a wheeled commode from Drive DeVilbiss Healthcare Ltd. These instructions aid the user or carer about the safe and efficient use of this product, including assembly, cleaning & maintenance and operation of the product.

Ensure that you read these instructions fully before using the product.

The product is ideal for use to aid toileting and is also suitable as a portage chair. It comes with a bucket and lid, or can be used over a conventional toilet. It is suitable for a single user up to 130kg.

Users with visual, reading or cognitive disabilities should seek advice from their provider or Drive DeVilbiss Healthcare Ltd. to obtain these user instructions in an appropriate format.

## Parts Description

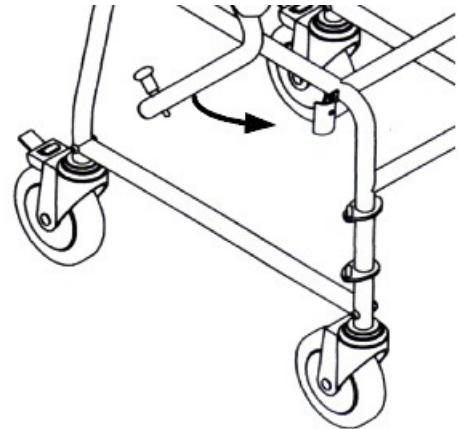


1. Backrest
2. Tightening knob
3. Armrest interlock
4. Bucket with lid
5. Legrest swing lever
6. Legrest
7. Armrest
8. Braked castor

## Personal safety

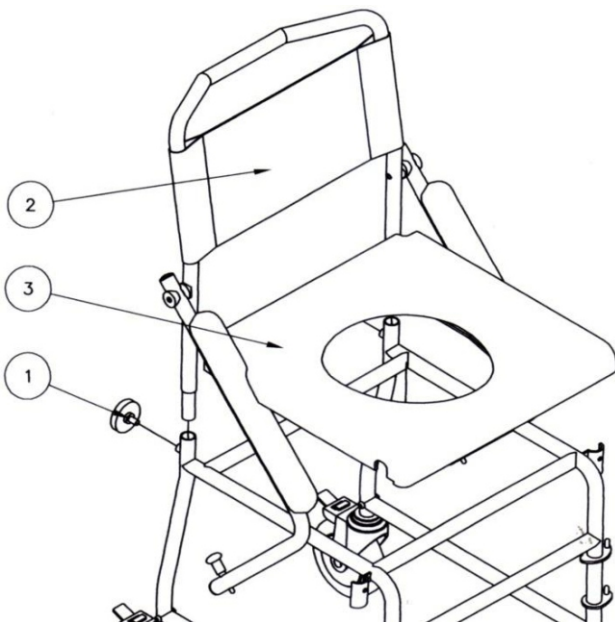
- Read the instructions carefully before use.
- Check all components are secured before use.
- Be careful of pinch points when rising from or lowering on to the commode, or when you are removing the bucket.
- Only use on level ground.
- When stationary, apply the castor brakes.
- Swing away the legrests before getting in or out of the chair, the user should always remove their feet from the legrests before swinging the legrests away.
- Do not lean out of the commode.
- The maximum weight limit is 130kg.

## Operating the armrests



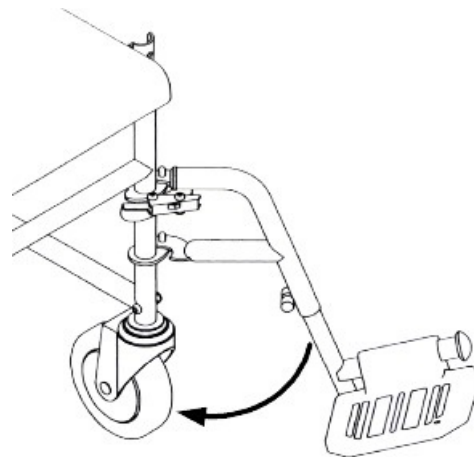
- To lock the armrest in position, lift the front of the armrest up until it locks in position automatically.
- To drop the armrest, pull the interlock and allow the armrest to drop.

## Assembly



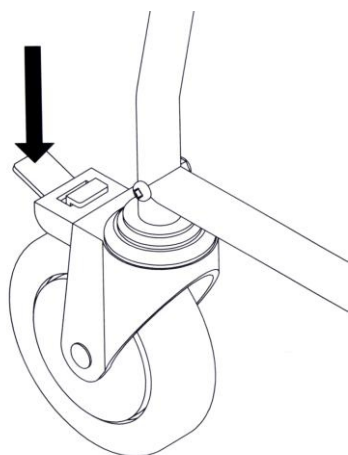
- Loosen the two knobs (1) on either side of the commode by turning anticlockwise.
- Insert the backrest section (2) into the two receivers on the frame.
- Secure the backrest by tightening the two knobs (1) by turning clockwise.
- Place the plastic seat (3) into its natural position on the frame.

## Adding the legrests



- To add the legrest, place the legrest on the two posts located on the frame. Then swing the legrest round as shown in the diagram to lock in the forward position.
- To swing out the legrest, press the chrome lever whilst pushing the legrest away. The legrest can then be lifted up to remove.

## Using the castor brakes



The wheeled commode has four braked castors.

Press down on the lever located above the wheel to apply the castor parking brake (as shown in the diagram). To release the lock, press the protruding tab above the wheel.

## Using the bucket and lid

The bucket and lid are accommodated underneath the plastic seat.

To add the bucket, slide underneath the seat from the back of the commode. Ensure that the bucket is secure on the two rails attached to the underneath of the seat.

To remove the bucket, slide the bucket from underneath the seat. Add the lid, and carry the bucket securely using the chrome handle.

## Cleaning and maintenance

Clean regularly by hand using a damp cloth and mild detergent and disinfectant. The bucket, lid and seat should be disinfected or cleaned for each user.

## Specification

Overall Height:	95cm (37.5")
Overall Width:	57cm (22.5")
Overall Depth:	86cm (34")
Backrest height:	39cm (15")
Seat Width:	46cm (18")
Seat Depth:	41cm (16")
Seat Height:	53 cm (20.5")
Armrest Height:	75cm (29.5")
Bucket Capacity:	5 litres (1 gallon)
Weight Capacity:	130kg

## Warranty

This wheeled commode is warranted to be free of defects in materials and workmanship for one year from date of purchase.

In the event of a defect covered by this warranty, Drive DeVilbiss Healthcare will at its discretion supply parts or replace the device.

This warranty does not cover device failure due to misuse, negligence or normal wear and tear.

If you have any queries or require full warranty conditions please contact your provider.

## Contact details

**Drive DeVilbiss Healthcare Ltd.**  
Holmfield, Halifax, West Yorkshire,  
HX2 9TN, Great Britain

**Drive DeVilbiss Sidhil Ltd.**  
4 Trench Road, Mallusk,  
Newtownabbey, BT36 4TY  
Northern Ireland

Tel: 0845 0600 333  
Email: [info@drivedevilbiss.co.uk](mailto:info@drivedevilbiss.co.uk)  
[www.drivedevilbiss.co.uk](http://www.drivedevilbiss.co.uk)