

The **art** of assisted bathing





Our Heritage

A family-owned business, we are a long established manufacturer of baths and shower trays and we supply a number of well-known names in both the standard and assisted bathing markets. Our Engineering division designs and manufactures tools and machinery for our production facilities and we also make tooling for some of our competitors, both here in the UK and also around the world.

Our two factories are based in Sunderland and Washington in the North East and we are proud to be one of the UK's leading acrylic bath manufacturers.

Our Products

The Renaissance range of Assisted and Easy Access baths has been developed to offer a solution to the vast majority of bathing needs. Our products have been designed to give both the bather and where necessary the carer, the best experience in terms of comfort and ease of use.

We believe our range of baths offers a stylish and practical solution for bathing either in a multi-user environment such as a Care or Nursing Home, or for an individual living in their own home.

Our Excel 300, 400 and 600 models are Wras-approved including bath fill and shower system and have a battery back-up facility in case of a mains power failure.

As a safety feature, if the mains power was lost, as you press the handset it would give off an alarm sound and the bath would lower to its lowest point and/or the seat would swing out of the bath and lower on the outside of the bath. It would not move again until the mains power was re-connected.

A combination of quality materials and advanced manufacturing techniques enables us to offer a 25 year guarantee on the bath shells against manufacturing or material defects (Marius and Phocas, five years), whilst all mechanical and electronic components have a full 12 month warranty.

Our Service and Support

We will offer as much service and support as the individual or company requires. This can include visiting the premises to advise on what is the best solution for the person as well as surveying the bathroom to offer guidance and advice on layout. A pre-installation check-list is available in order to ensure that the installation is performed efficiently. The installation itself can be carried out by one of our recommended installation Teams, or we offer a Commissioning Service if you are using your own installers.

Ongoing Service and Maintenance Packages are available to ensure a trouble-free, long-term future.



Product Guide

An at-a-glance guide to choosing the correct bath for your needs

Height Adjustable
 Fixed Height
 Powered Swing Seat
 No Seat
 1700 x 750mm
 1800 x 800mm
 Lap Belt
 Standard Arms or Nursing Arms
 WRAS Approved Lever Arms
 WRAS Approved Lever Taps with TMV3 Control
 TMV2 Bath / Shower System
 12 Jet, 3 Speed Air Spa
 Colour Changing Lights
 Bluetooth Audio

Model



Excel 600 Page 4-5



Excel 600 Detachable Page 6-7



Excel 400 Page 8-9



Excel 300 Page 10



Excel 300 Detachable Page 11



Excel 100 Page 12

*		*		*	*	*	*	*	*	*	*	*	*
*		*		*	*	*	*	*	*	*	*	*	*
*			*	*	*			*	*	*	*	*	*
	*	*		*	*	*	*	*	*	*	*	*	*
	*	*		*	*	*	*	*	*	*	*	*	*
	*		*	*	*					*	*	*	*

Excel 600 Height-adjustable bath with Powered Swing Seat

(Safe-working Load 24st / 150kg)



Strong, robust, Mdf Panels will take the day to day knocks from wheelchairs and trolleys with ease.

The Pre-formed Access Points allow for Pipework and Electrics.



The bath can be raised a huge 340mm, catering for all carers, tall or small!

We endeavour to provide accurate information but product development may alter certain specifications



The **Excel 600** is a height-adjustable bath with a Powered Swing Seat, for use in nursing situations, or where particular care is required. The electrically-operated bath rises smoothly up to a height of 1060mm, which enables the tallest of carers to assist the bather comfortably, once the seat has been gently lifted into the bath via the handset.

Safety Feature – If the mains power was to go off at any point, an alarm will sound if the handset is being used. The bath will then simply lower and the seat will lift out of the bath and come to a stop once it has reached its lowest point outside the bath. Neither the seat nor the bath will move again until the mains electric has been restored.



The arms can be raised to allow for easy access on and off the seat. Nursing arms pictured. Standard straight arms also available.

The **Excel 600** is available in two sizes to suit different clients and/or the environment in which it is to be used.



1700x750 end waste



1700x750 centre waste



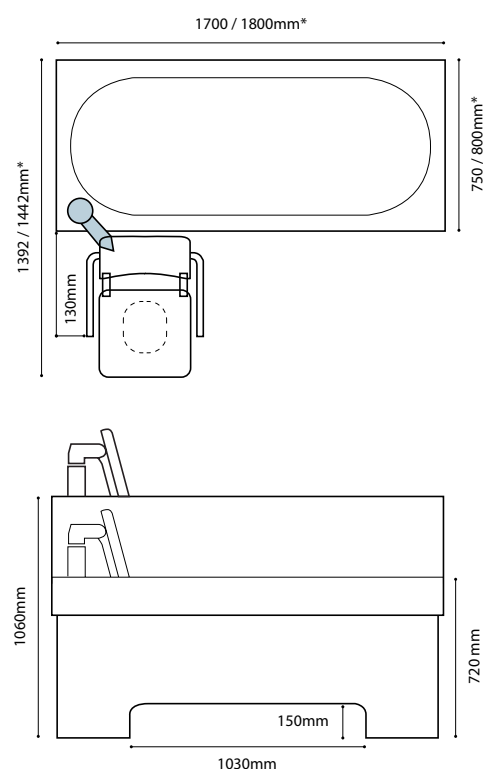
1800x800 end waste



The handset has four simple control buttons;
1 takes the seat into the bath
2 raises the bath to a comfortable height
3 lowers the bath after bathing
4 brings the seat back out of the bath.
 Any of the actions can be stopped by simply lifting your finger off the button.

Bath Dimensions

Right-hand model depicted.



Excel 600 Height-adjustable bath with Detachable Seat & Transporter

(Safe-working Load 24st/150kg)



We endeavour to provide accurate information but product development may alter certain specifications



The Excel 600 can be enhanced with the addition of a **Detachable Seat and Transporter**; improving the bathing experience for both the bather and carer.

This allows the person being bathed to be put on the seat in the bedroom and simply transferred on the transporter to the bathroom and the chair gently lifted into the bath, without the need for further lifting or handling of the bather. This is better for both the bather and for the carer. The operation is very simple. The Transporter is pushed gently up to the side of the bath and the magnets on the bath panel and on the back of the transporter then simply connect to ensure it is in the

correct position for accepting the seat. The seat is swung out of the bath and lowered on to the Transporter. At this point, the arm disconnects from the seat and the Transporter can be moved away from the bath and taken to the bedroom.

Returning to the bathroom with the bather, the Transporter is again connected to the bath via the magnets.

The arm is raised and the arm engages with the seat and lifts it off the Transporter; no locks to unfasten, no transporter to dis-engage. Once the seat is lifted up and into the bath, the transporter can be moved away.



The seat has an insert that can be removed to allow more personal cleaning from underneath the seat.



The **Excel 600** is available in two sizes to suit different clients and/or the environment in which it is to be used.



1700x750 end waste



1700x750 centre waste



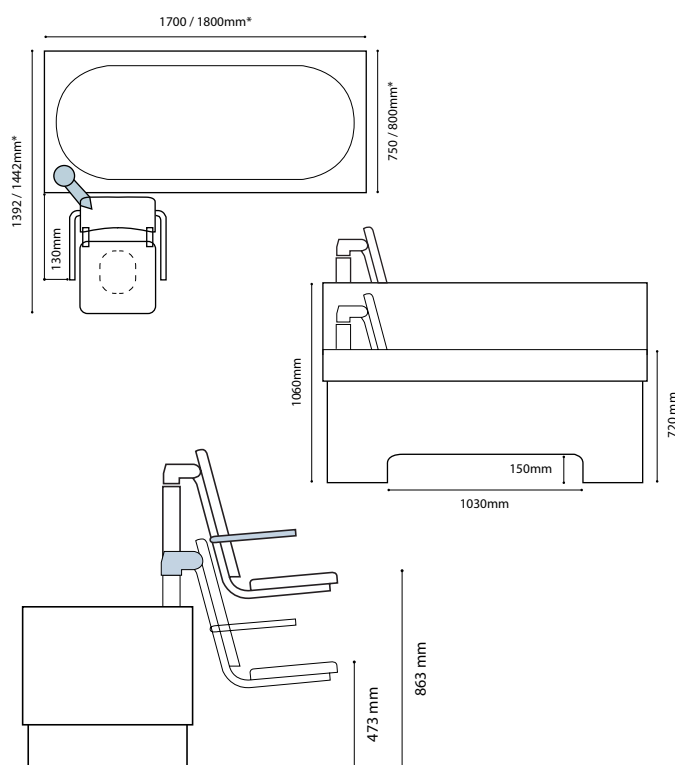
1800x800 end waste



The handset has four simple control buttons;
1 takes the seat into the bath
2 raises the bath to a comfortable height
3 lowers the bath after bathing
4 brings the seat back out of the bath.
 Any of the actions can be stopped by simply lifting your finger off the button.

Bath Dimensions

Right-hand model depicted.



Excel 400 Height-adjustable bath

(Safe working load 30st / 185kg)



The **Excel 400** height-adjustable bath is the popular choice where an integrated seat is not a practical solution for the bather and the use of ceiling track hoists, mobile hoists, slings and/or cradles are more the order of the day. This bath can be supplied with a full panel if the hoist access is not required.

The **Excel 400** is available in three designs.



1700x750 end waste

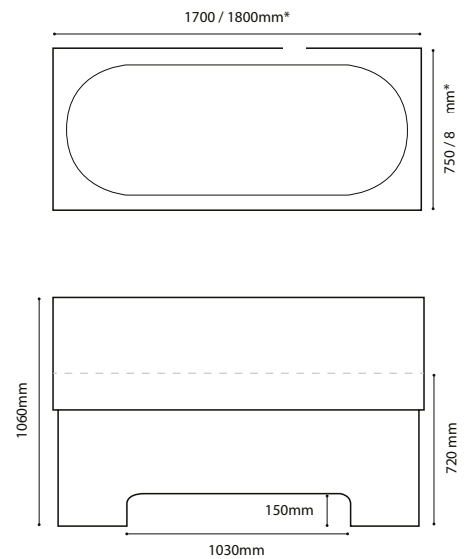


1700x750 centre waste



1800x800 end waste

Bath Dimensions



The handset has two simple control buttons;
1 raises the bath to a comfortable height
2 lowers the bath after bathing
The bath can be stopped at any height
by simply lifting your finger off the button.

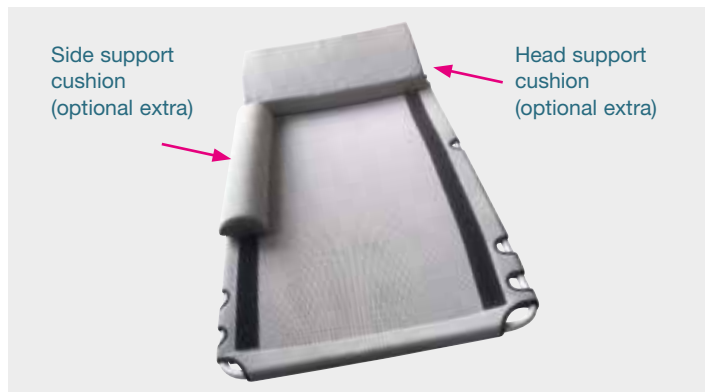


We endeavour to provide accurate information but product development may alter certain specifications



Excel 400 Accessories & Options

The **Excel 400** height-adjustable bath can be used in conjunction with a number of accessories, such as these shown below. Many of these items can be made to suit the individual and as such, a consultation by one of our experienced staff, would be beneficial to all concerned.



Luxury Changing Top – Available for the 1700x750mm and 1800x800mm End Waste baths, the Tops have removeable meshes for machine washing and have optional Head Support and/or Side Support Cushions to give the bather greater comfort and security.



Headrest Cushion – The Headrest is attached to the bath with suckers and then by using the integral pump, air can be extracted from the cushion to mould it to the bather, to give added support and comfort.



In-Bath Cradle – If an individual requires support in the bath, then an In-Bath Cradle could be the perfect solution. The cradle is made using a mesh fabric impregnated with Polygiene which is an anti-bacterial coating, giving protection from bacteria and preventing cross contamination. The mesh is removable and can be machine washed and then refitted.



Cradles and Transporters – These Cradles are the ultimate in comfort for the bather. Available in three sizes and with a host of optional supports, the Cradle can be hoisted straight into the bath, either by overhead track hoist or mobile hoist. However, if used in conjunction with the Transporter, it can be tilted to use as a shower chair, or if moved to the vertical position, it will go over a toilet.

Excel 300 Fixed Bath with Powered Swing Seat

(Safe-working Load 24st/150kg)

The **Excel 300** Fixed bath with Powered swing seat is designed for people who require assistance for getting into and out of the bath, but are not necessarily totally dependent on others in order to bathe.

This bath will allow some people to bathe themselves and therefore remain independent. Being a fixed bath it can also be used in smaller bathrooms as it can be fitted against the wall, although space is required in

front of the bath for the seat to swing out and for the person to get on the seat.

The **Excel 300** can be supplied with a Full Panel (illustrated) or if it is to be used in a facility where a hoist may be used, hoist access panels are also available. (See page 11). The bath is supplied with the front panel as standard. End Panel(s) or an Additional Side Panel are also available where required.



The **Excel 300** is available in two sizes to suit different clients and/or the environment in which it is to be used.



1700x750 end waste



1700x750 centre waste



1800x800 end waste



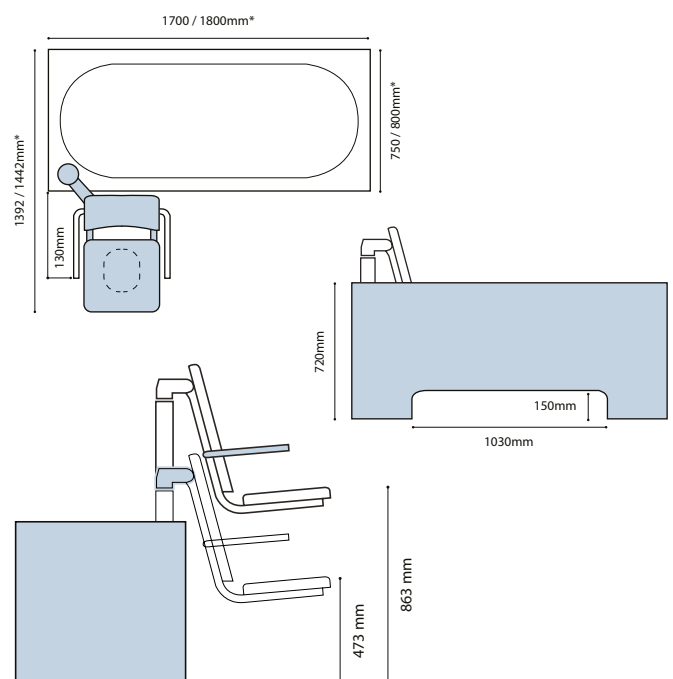
Handset

Easy to use, the "Seat in" button lifts the seat up, swings it over and then lowers it into the bath. The "Seat out" does the reverse, it lifts the seat up out of the bath, swings it over the side and then lowers it on the outside of the bath. The seat can be stopped at any point by simply taking your finger off the button.

We endeavour to provide accurate information but product development may alter certain specifications

Bath Dimensions

Right-hand model depicted.



Excel 300 Fixed Bath with Detachable Seat & Transporter

(Safe-working Load 24st/150kg)

In some situations, the ability to ready the bather in the bedroom and transfer them to the bathroom is beneficial. The detachable Seat with Transporter enables this to happen. Once in the bathroom the seat can be lifted off the Transporter, straight into the bath, without the need for further lifting/handling of the bather.



Transporter. Once the seat has been lowered onto the transporter the person can be moved away to another room with ease.

The seat has an insert that can be removed to allow more personal cleaning from underneath the seat.



1700x750 end waste



1700x750 centre waste

The **Excel 300** is available in two sizes to suit different clients and/or the environment in which it is to be used.



1800x800 end waste

Excel 100 Fixed Bath

The **Excel 100 Fixed bath** is designed to be used with either a ceiling track hoist or mobile hoist. The bath can be supplied with a Hoist Access panel (as illustrated) if a mobile hoist is being used, or a Full Panel if a ceiling track hoist is the preferred method of transfer.



Available in three designs the **Excel 100** is supplied with the Front Panel as standard and with the option of End Panels and an Additional Side Panel..



1700x750 end waste



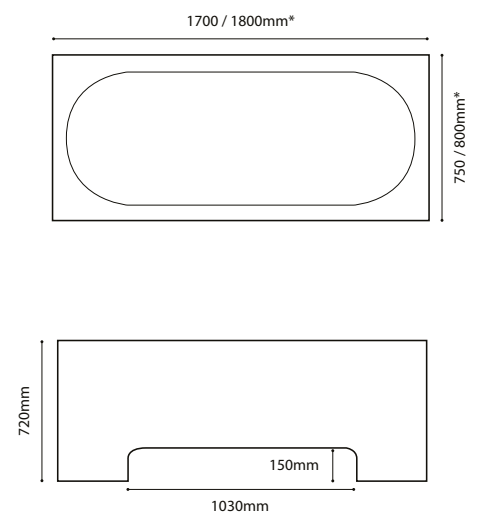
1700x750 centre waste



1800x800 end waste

The end waste models can be supplied with a removeable Changing Top if required. See page 9.

Bath Dimensions



We endeavour to provide accurate information but product development may alter certain specifications



Accessories

Brassware. We offer a range of brassware depending on the particular requirements of the client.



Lever taps are a popular choice and in conjunction with an underbath tmv3 valve, offer a WRAS-approved solution.



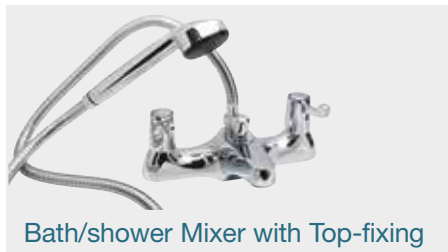
Bath Filler, again in conjunction with an underbath valve, gives you the ability to control the water temperature through one outlet.



Tmv3 Shower System (CAT5 Safe) is part of our WRAS-approved system and is the necessary choice in multi-user situations.



Tmv2 Bath/Shower mixer is popular in a domestic situation, where the bath is used primarily by one person.



Bath/shower Mixer with Top-fixing shower, together with an underbath valve is a good value option if showering is required and is the preferred option when including a Changing Top with the bath.




Underbath Valve. Both Wras-approved and Tmv3 rated, the valve ensures a safe maximum temperature appropriate for those using the bath

Sensory Options. In order to make the bathing experience more enjoyable and relaxing, we offer three sensory systems; 12 Jet Three Speed Air Spa, Bluetooth Audio and Colour-changing lights.



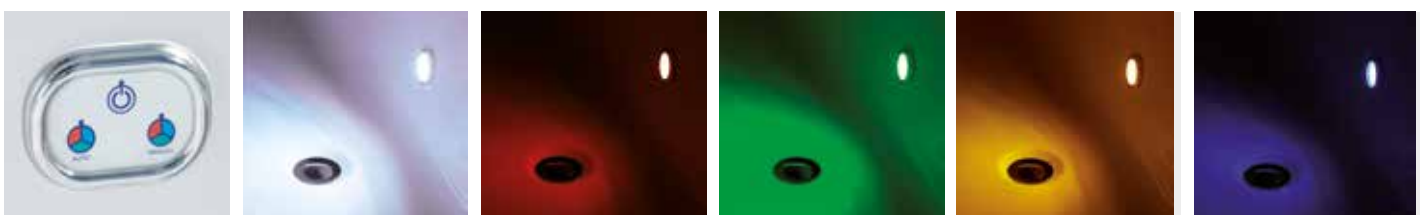
The **Air Spa system** has 12 jets in the base of the bath and has three settings. Pressing the button once gives a gentle massage effect, pressing it again gives a stronger massage and pressing it a third time gives a vigorous massage. A fourth press switches the system off.

Bluetooth Sound System Fitted



The **Bluetooth Audio system** allows you to connect wirelessly to a system so that you can listen to music or audio books; whatever is your preference.

The **Colour-changing Lights** can be set at one specific colour, by pressing the “manual” button or if you press the “auto” button the lights slowly change from one colour to another flooding your bath with soothing light.



Easy Access Baths - Lenis

1700mm long x 750mm wide x 550mm high



The Lenis is a modern Easy Access bath with a simple push button door opening system. The neat square hinges allow the door to open wide giving the bather good access into the bath. The white gloss, vinyl-wrapped, mdf panels are both hard-wearing and give the bath an overall quality finish". Left-hand model shown with optional shower screen.



Left Hand model shown
Right Hand model also available

Now available with complete shower and filling system. Please ask for detail.



Easy Access Baths - **Phocas**

1210mm Long x 650mm Wide x 945mm High



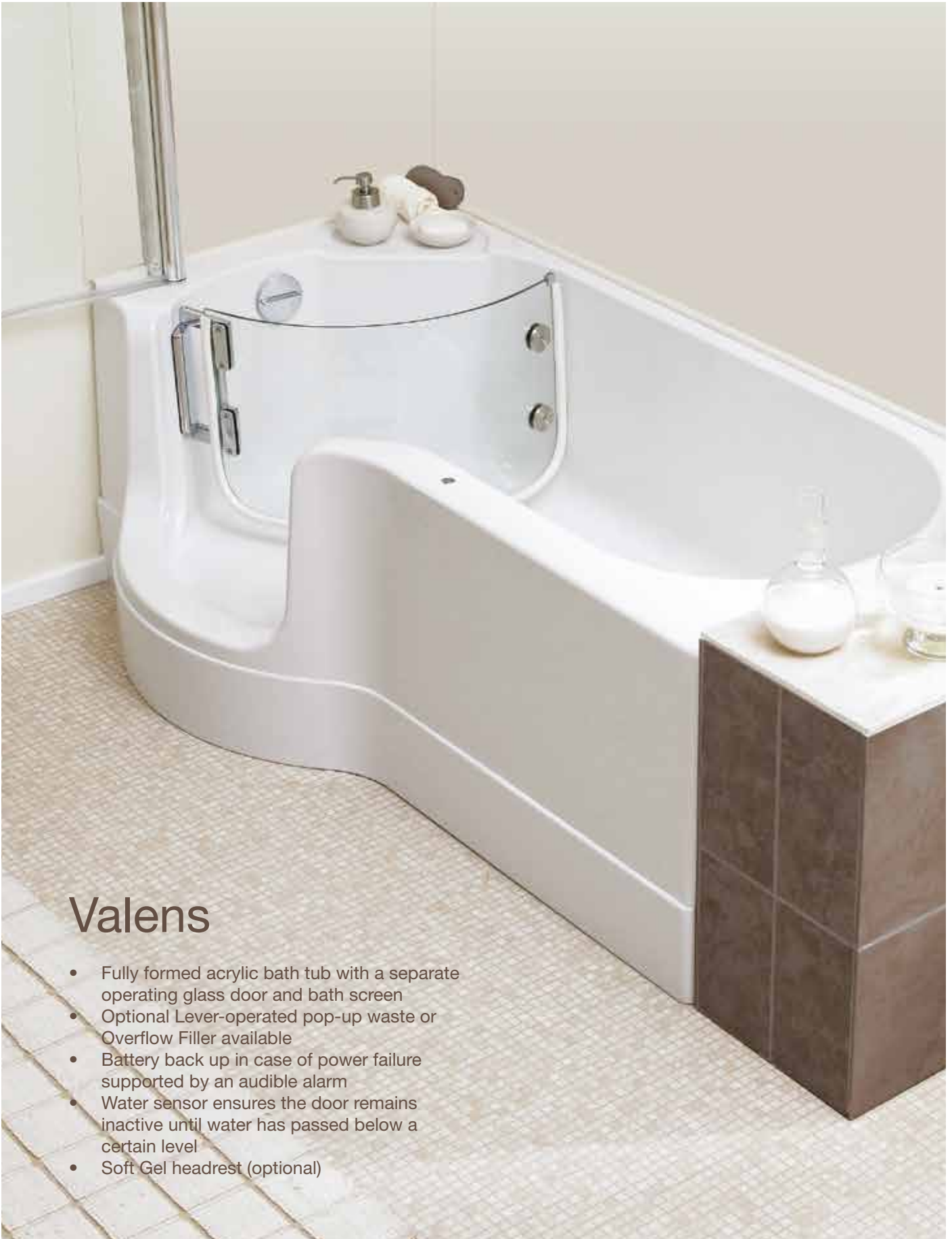
The Phocas has a contemporary glass inward-opening door into the bath and a moulded seat for the bather to relax on. Twin wastes drain the bath quickly and the bath can be supplied with the door on the left or right-hand side depending on the layout of your bathroom. (Left-hand bath pictured). Supplied with a front panel and one end panel as standard, an additional end panel is available if the bath is to be installed away from the side walls.

Easy Access Baths - **Marius**

900mm long x 650mm wide x 860mm high



The Marius is designed to go into the smallest of spaces and the inward-opening door with its patented double-hinge arrangement maintains this theme. The bath contains a moulded seat to enable the bather to sit and have a relaxing soak. The bath is available with left-hand hinged door only, is supplied with two wastes and one side panel. An additional side panel is available if required.



Valens

- Fully formed acrylic bath tub with a separate operating glass door and bath screen
- Optional Lever-operated pop-up waste or Overflow Filler available
- Battery back up in case of power failure supported by an audible alarm
- Water sensor ensures the door remains inactive until water has passed below a certain level
- Soft Gel headrest (optional)

Valens features

- Fully formed acrylic bath tub with a separate operating glass door and bath screen
- Optional Lever-operated Pop-up Waste or Overflow Filler available
- Battery back up in case of power failure supported by an audible alarm
- Water sensor ensures the door remains inactive until water has passed below a certain level
- Soft Gel headrest (optional)



Step One

Bath screen is easily folded into or out of the bath



Step Two

Door and screen are made from tempered safety glass



Step Three

Door is operated electronically by a touch button and an indicator light shows when the bath is fully sealed



Step Four

Low threshold height allowing easy access



Step Five

Simply close the door for a secured bathing experience



Step Six

If showering is your choice the shower screen sits over the bath door with the assistance of magnets



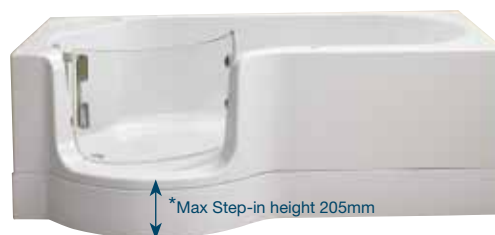
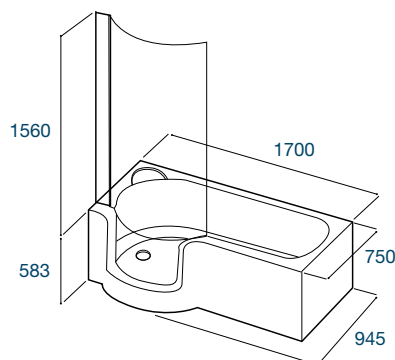
Bath screen opens into and away from the bath



Door folds into bath allowing wide access



Electronic door operating button



Left Hand model shown
Right Hand model also available



Talis

1700 x 800mm

An innovative design, available with High Gloss Black or White MDF Panels or White Styrene Panels to suit your décor (Black mdf shown)

This bath can be lowered to give an ultra low threshold of 80mm, allowing you even easier access. Available with or without a bath screen and optional Lever-operated Pop-up Waste or Overflow Filler.



The Talis features

- Electro magnets hold the shower door tightly locked, with a battery back-up in case of power failure and an audible alarm to warn you
- Battery back up in case of power failure supported by an audible alarm
- A water sensor near the base of the bath ensures the door will not open until the bath has drained.
- Lever-operated Pop-up Waste or Overflow Filler (Optional)



Step One
Optional bath screen available



Step Two
Choice of panel finishes for the modern bathroom



Step Three
Bath available LH or RH. (RH model shown)



Step Four
Easy to operate pop up waste, or overflow filler available (both optional extra)



Step Five
Ultra Low level can be achieved for easier access (approximately 80mm)



Step Six
Door swings into bath for maximum access

It's Your choice...



**White High Gloss
MDF Panel**



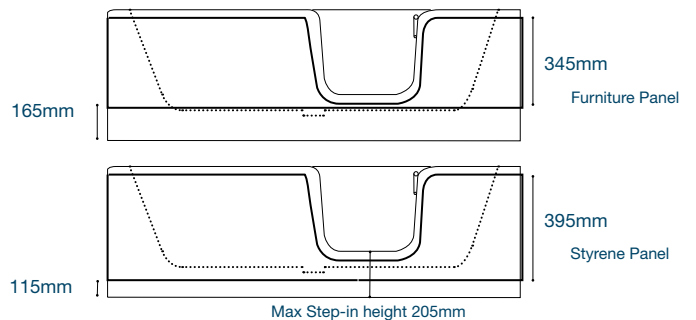
**Black High Gloss
MDF Panel**



White Styrene Panel



Right Hand model shown
Left Hand model also available





Contact Us

Pennywell Industrial Estate, Sunderland,
Tyne & Wear SR4 9EN.

T: 0191 534 6061 F: 0191 534 3626

www.renaissance-assistedbaths.co.uk

10/18

We endeavour to provide accurate information but
product development may alter certain specifications