

# ERA EVO

The price-performance winner.

The quiet ERA EVO is versatile, compact, reliable and a true powerhouse. The integrated cable rewind makes the safe and practical storage of the signal-red 10m power cord possible.

If required, you can change the cable in just a few simple steps and without using any tools.

High-quality filter media, such as the standard fleece filter basket, the HEPA13 filter bag, and the HEPA13 filter cartridge guarantee clean blow-out air at all times and are particularly suitable for those who suffer from allergies or for the cleaning of sensitive areas, such as hospitals, nursing homes and kindergartens. The extra-large, tear-resistant 9-litre fleece filter bag guarantees a high volume of dirt absorption and long working intervals, without frequent and annoying filter bag changes.

The power regulation that can be adjusted on the device allows for the EVO to be adapted to any floor covering. And what's best: already for small order quantities, we equip the ERA EVO with your logo and strengthen your company image and brand.

## Features

Standard operating LED in blue.



Your brand. Your company image. We imprint your logo.

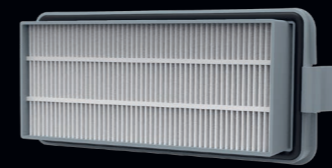


Integrated cable rewind with open design.



Tool-free cable changing.

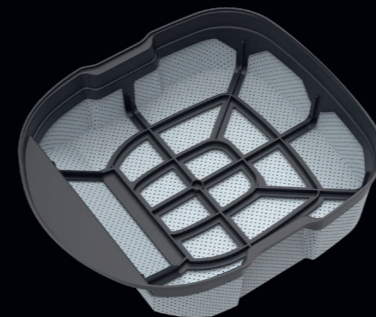
Mechanical power regulation.



Tool-free removable HEPA13 filter cartridge.



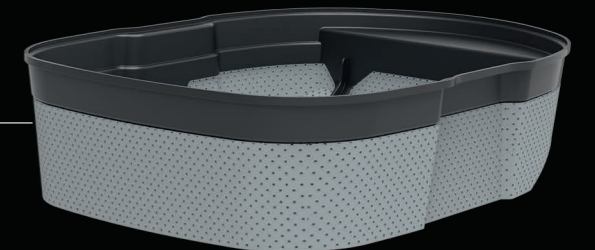
All-round elastic impact edges and a continuous sliding cam ensures a smooth transition over door thresholds.



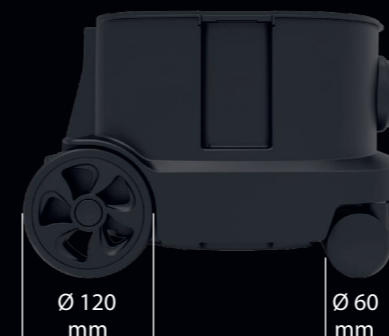
Washable fleece filter basket.



Tool-free interchangeable motor protection filter.



HEPA13 fleece filter bag.



Ø 120 mm

Ø 60 mm

Extra-large wheels and castors ensure a high level of agility and stability.



Four storage slots for accessories and three parking positions as standard.

50% RECYCLED MATERIAL



Item no.	UK	EU
<b>ERA EVO</b>	117.004	117.001
2 x 0,5m aluminium tube, 2.0m suction hose, fleece filter basket, HEPA13 fleece filter bag, HEPA13 filter cartridge, crevice nozzle, combined upholstery / furniture nozzle, 280mm combi nozzle, 10m power cord, pluggable, signal red		
<b>FLEECE FILTER BAGS:</b>		
Fleece filter bags (10 pieces)	106.013	
Fleece filter bags (250 pieces)	106.014	
HEPA13 fleece filter bag (10 pieces)	106.061	

Item no.	UK	EU
<b>STANDARD ACCESSORIES:</b>		
Aluminium tube, 0,5 m (1 piece)		106.026
Suction hose complete, 2.5m		114.113
Energy combi nozzle, 280mm		114.114
2in1 upholstery nozzle		106.028
Crevice nozzle, 230mm		101.023
Fleece filter basket		117.101
HEPA 13 filter cartridge		111.132
Power cord, 10m, pluggable, signal red	111.177	111.310