



Joerns
Oxford®

User Instruction Manual

Oxford® Ascend

To avoid injury, read user manual prior to use.

Manuel de l'utilisateur

Oxford® Ascend

Afin d'éviter tout accident, veuillez lire attentivement la notice avant utilisation.

Manual de Instrucciones

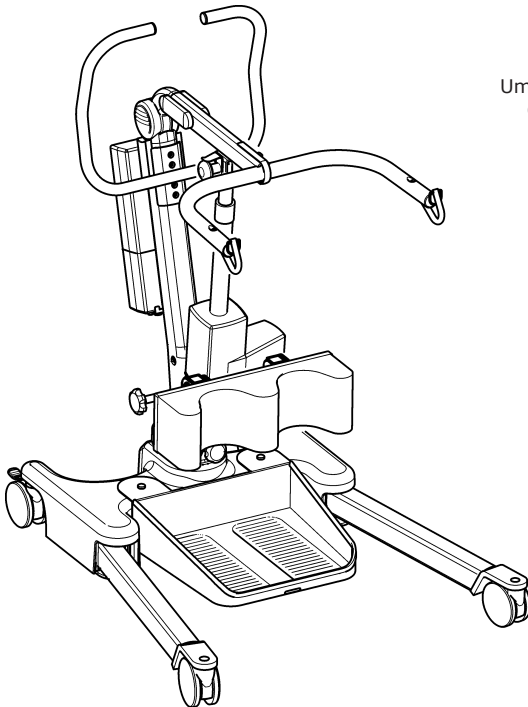
Oxford® Ascend

Para evitar posibles daños, lea previamente el manual de usuario.

Benutzerhandbuch

Oxford® Ascend

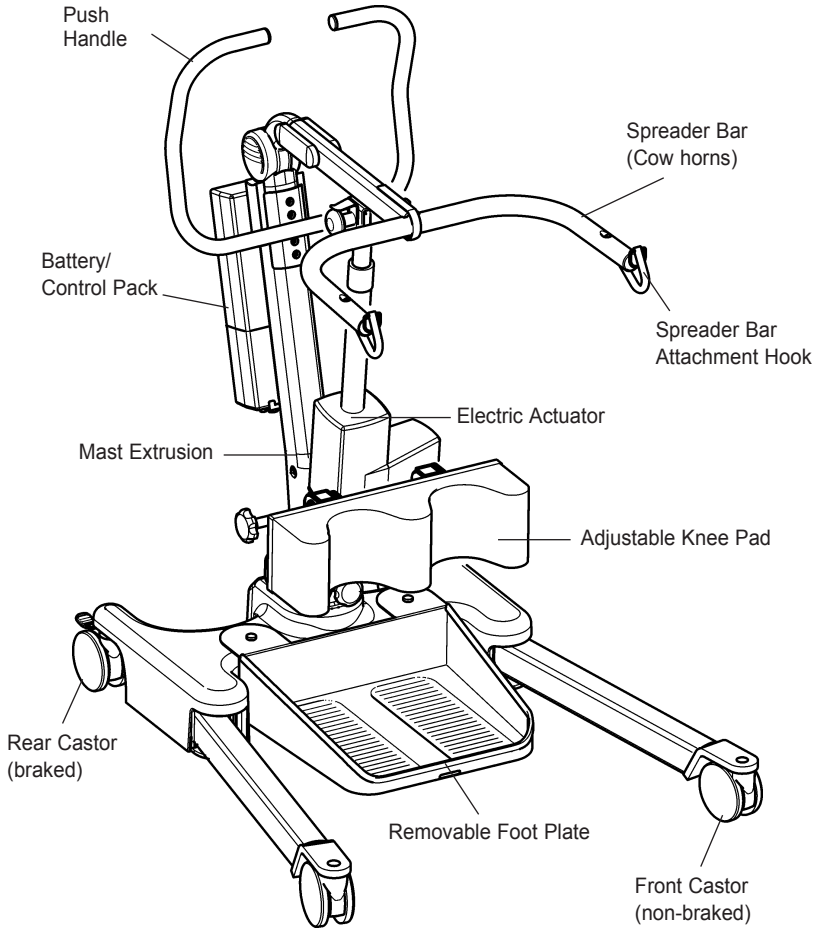
Um Verletzungen zu vermeiden, lesen Sie bitte die Gebrauchsanweisung vor der ersten Benutzung.



Contents

1. Oxford Ascend Patient Lift.....	3
2. Introduction: About Your Lift.....	4
3. Assembly and Commissioning Instructions.....	5
4. Sling Guide.....	9
5. Lifting with the Oxford Ascend	10
6. Safety Precautions	11
7. Smart Monitor and Handset	13
8. Operating Instructions	17
9. Charging Instructions.....	19
10. Maintenance Schedule & Daily Check List	21
11. Technical Specifications	23
12. Warranty	26

1. The Oxford Ascend Patient Lift



2. Introduction: About Your Lift

Each Ascend lift is fully assembled, load tested and certified before being packed/shipped.

The packing consists of a strong, purpose built carton to ensure the safe arrival of the lift. A number of documents are supplied in a wallet, and packed with each lift and should be kept safely for future reference:

- TEST CERTIFICATE
- USER MANUAL
- PACKING CHECK LIST
- DEALER GUARANTEE CARD (Europe only)
- CUSTOMER SATISFACTION CARD (Europe only)

The TEST CERTIFICATE is an important document and will be required for your insurance records. It is valid for six months and after it has expired the lift should be inspected and serviced per the maintenance schedule.

Your authorised dealer can carry out servicing and periodic testing for those countries where this is a requirement (Europe). Please ensure your lift is included in their maintenance schedule. If you are at all unsure what your local market servicing requirements are, please check with your dealer, a local government agency and/or Joerns Healthcare.

The CE mark: The Oxford Ascend carries the CE mark and complies with the following EC directives:



- Medical Device Directive (93/42/EEC)
- EMC Directive (89/336/EEC) (Electrics only)
- Low Voltage Directive (73/23/EEC) (Electrics only)

Statement of Intended Use

The intended use of this lifting device is for the safe lifting and transfer of an individual from one resting surface to another (such as a bed to a wheelchair). Joerns Healthcare recommends that the transfer of a patient is fully risk assessed and conducted safely over a short distance only.

The Oxford Ascend is suitable for patients in the SITTING position only who have a degree of weight-bearing ability but require assistance to stand. By removing the foot tray, the Oxford Ascend patient lift can also be used as a walking aid following a careful risk assessment.

The Oxford Ascend is designed to support and promote safe patient handling and transfer for both the patient and carer.

The Oxford Ascend stand aid is designed to be used in conjunction with the Oxford range of slings. The examples of slings suitable for use with this device are listed as follows:

- Oxford Standing Sling
- Oxford Transport Sling

Expected Service Life

Oxford Professional lifts are designed and tested for a minimum service life of ten (10) years, subject to the use and maintenance procedures stated in this manual. Use, other than in accordance with these instructions, may compromise service life.

3. Assembly and Commissioning Instructions

Carton Contents

Place the carton in a clear working area and open carefully. The carton contains:

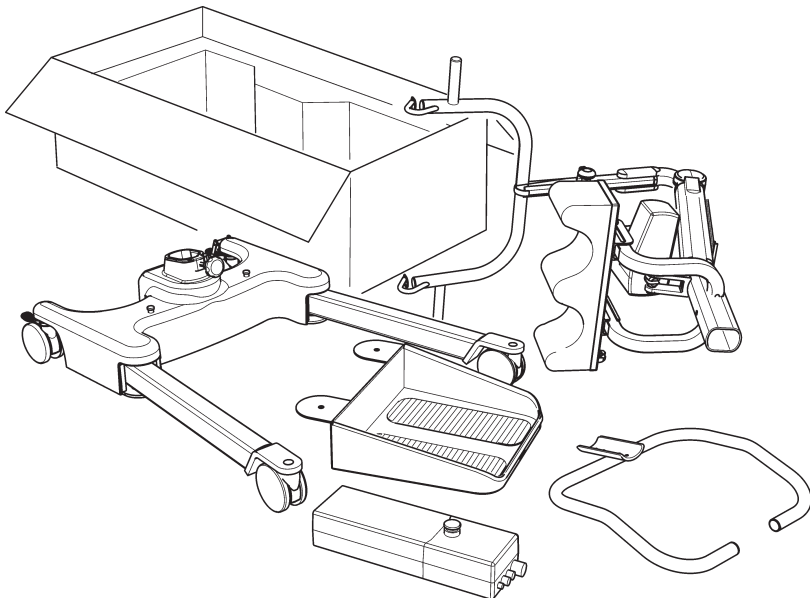
- OXFORD ASCEND LIFT
- WALLET CONTAINING DOCUMENTS
- HAND CONTROL
- BATTERY PACK
- CHARGING LEAD
- DESK TOP CHARGER/STAND

⚠ WARNING

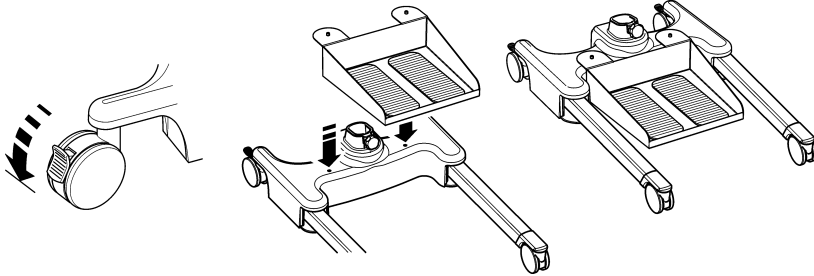
The Oxford Ascend is heavy and will need to be lifted with care. You may need assistance to lift the Oxford Ascend from the carton.

Assembly

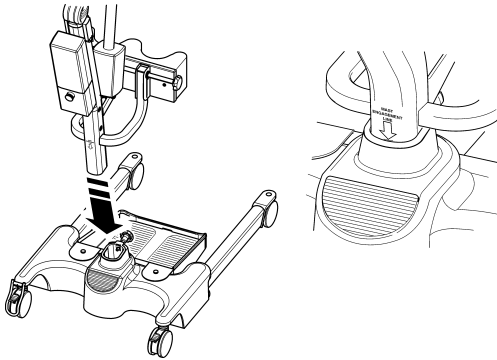
Remove all the parts from the carton and place on the floor, taking care to protect the finish from damage.



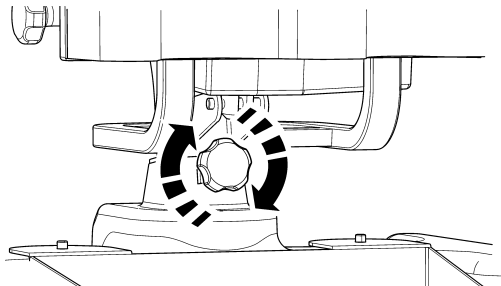
1. Place the chassis in a clear space and apply the rear brakes. Attach the foot tray to the base using the location holes positioned on the base casting.



2. Fit the mast and boom assembly into the chassis socket.



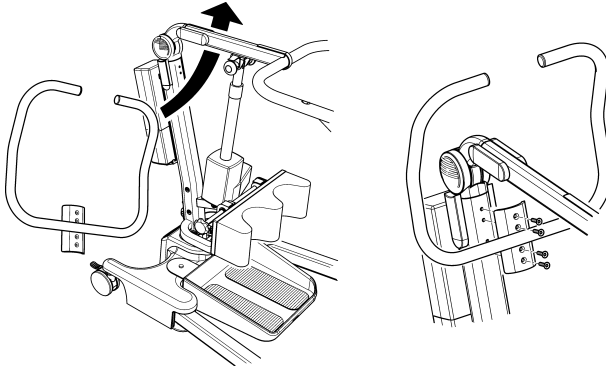
3. Tighten the mast assembly with the mast-locking device, which is located at the front of the chassis.



⚠ WARNING

Avoid trapping fingers. Keep fingers away from the end of the mast when inserting into the chassis socket. Full engagement of the mast is indicated by the label on the side of the mast. The electric leg operation will not function unless the mast is fully engaged.

4. Turn the locking knob until hand tight.
5. Line the handle assembly up to the mast, and attach using the fixings provided. The fixings and wrench needed to attached the handle are kept in the user instruction wallet for safe keeping.



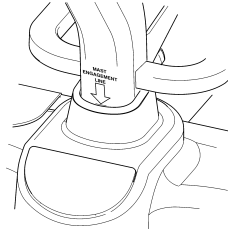
6. Fit power pack to the lift and make sure the latch holding the pack in place is fully engaged. "Click" in place.

Disassembly

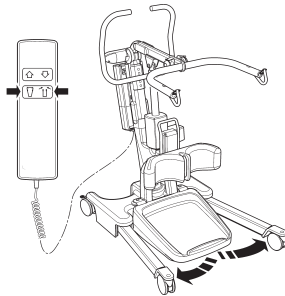
The lift should not be disassembled unless for service, repair or transport if necessary. Therefore follow the assembly instructions in reverse sequence.

ALWAYS CHECK THE FOLLOWING BEFORE OPERATION

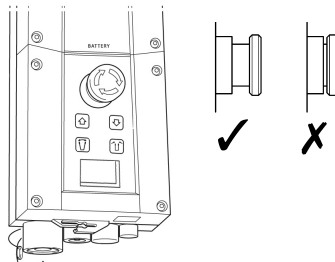
- The mast is fully locked into position.



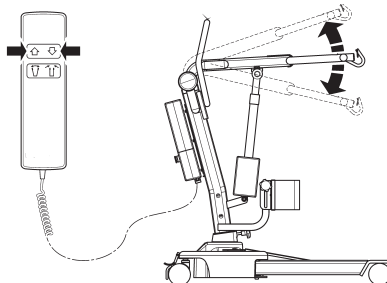
- The legs of the lift open and close satisfactorily (This is done via the hand control).



- The red emergency stop button, located on the rear of the control box, is in the OFF (out) position.



- Push the up and down buttons on the hand control and confirm the boom rises and lowers.



4. Sling Guide

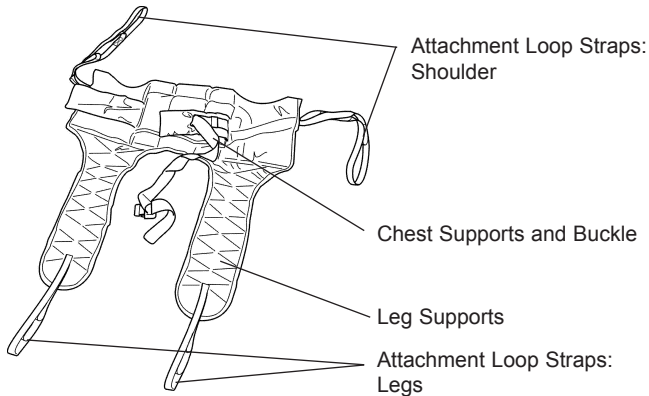
The Oxford Ascend is suitable for patients in the SITTING position. The slings suitable for this device are listed as follows:

- Oxford Transport
- Oxford Standing

User Guide For Standard Slings

The Transport and Standing sling is an easy fit sling, suitable for standing and supporting. It is not a general purpose sling and patients must be assessed for suitability by a qualified person.

Transport Sling



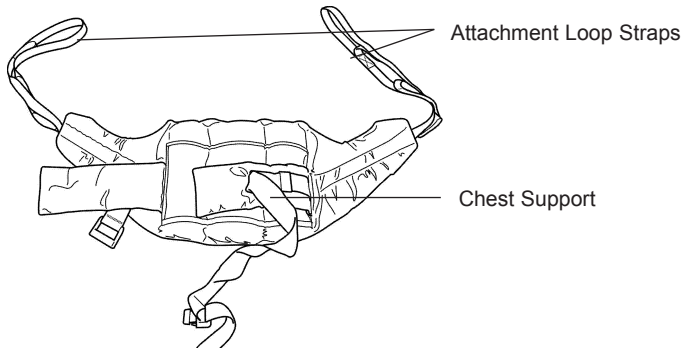
Feed the sling down the back of the patient leaving the top of the commode aperture at the base of the spine. Check the roll part of the sling is square across the patient's back.

Attach the support strap around the chest of the patient. This strap need not be tight. It is there to hold the sling in position whilst attaching the loops to the Standard. It may be left off altogether if preferred. Ensure patient's arms are on the outside of the sling.

Raise the patient's leg and feed the leg strap under and up between the legs. Ensure the sling is not twisted or creased under the thigh. Repeat this procedure for the other leg. Attach the loops on the roll parts of the sling to the white hooks at the end of the hand grips.

Without crossing the loops on the leg straps, attach to left and right black knobs on the lifting fork. You would normally use the middle of the three loops. The patient is now ready to be raised from the seat. Once clear of the seat, the patient will be more comfortable if lowered back in to the sitting position.

Standing Sling



Place the sling down behind patient's back between base of shoulder blades and bottom of rib cage. Attach the support straps around the front of the patient. This strap need not be tight. It is there to hold the sling in position whilst attaching the sling to the Standaid. It may be left off altogether if preferred. Ensure that the patient's arms are outside the sling.

NOTE: For detailed fitting instructions, please refer to the user guide supplied with each sling.

⚠ WARNING

Joerns Healthcare recommends that slings be checked regularly and particularly before use for signs of fraying or damage. **DO NOT** use slings that are worn or damaged.

⚠ WARNING

OXFORD RECOMMENDS THE USE OF GENUINE OXFORD PARTS. Oxford sling and lift products are designed to be compatible with one another. For country specific guidance on sling use and compatibility, please refer to the sling label or contact your local market distributor or Joerns Healthcare.

⚠ WARNING

Refer to maximum weight capacity of lift. Sling capacity is limited by the maximum capacity of the lift.

5. Lifting with the Oxford Ascend

Position Standaid so that the patient's feet fit in the foot tray and knees rest against the knee pad. Initially attach the longer loops of the sling to the grey hooks at the end of the Standaid hand grips. The patient's hands should be placed on the handgrips. (Once the patient is used to the lift the shorter loops may be used to achieve a more upright position). Then push UP button on handcontrol to raise the patient to the standing position.

6. Safety Precautions

Please read and follow the safety precautions listed below. The operation and use of Oxford patient lifts is simple and straightforward. Following these few basic safety precautions will make lifting operations easy and trouble free.

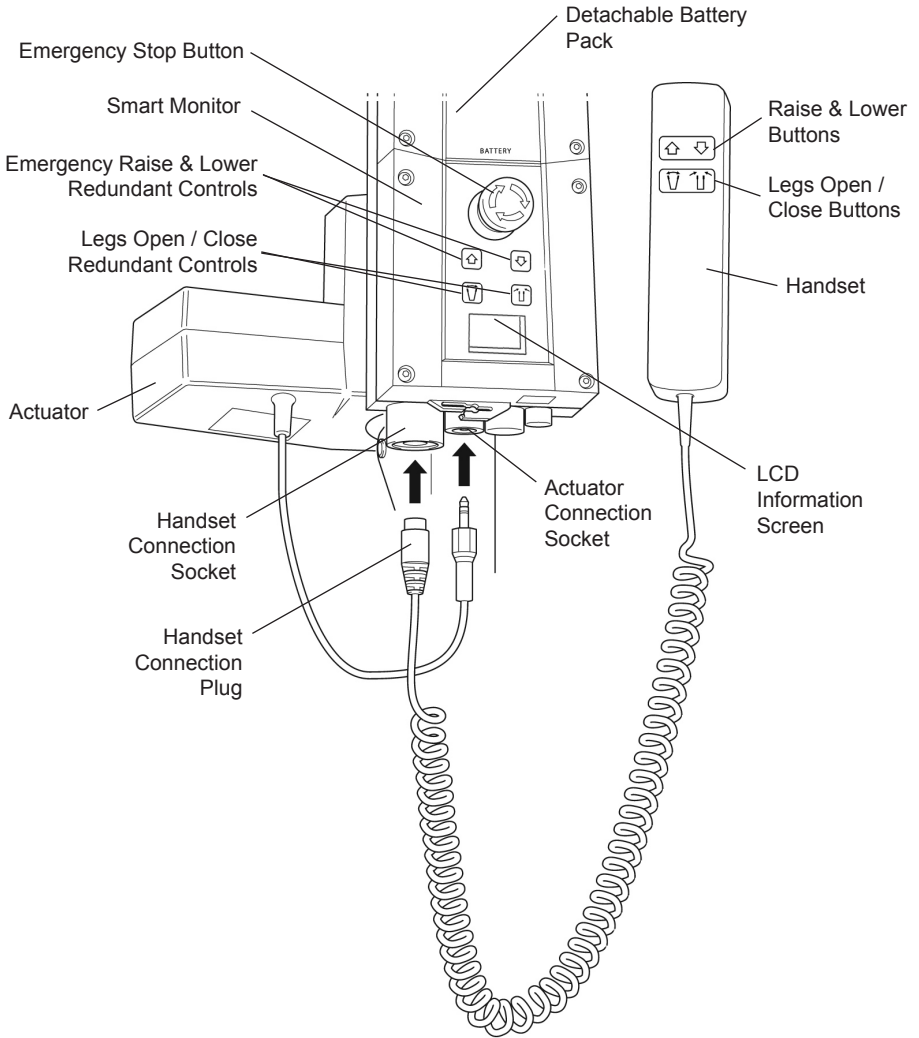
READ AND UNDERSTAND THE USER INSTRUCTION MANUAL BEFORE USING YOUR “ASCEND”

WARNING

- **ALWAYS** plan your lifting operations before commencing.
- **ALWAYS** carry out the **DAILY CHECK LIST** before using the lift.
- **ALWAYS** familiarise yourself with the operating control and safety features of a lift before lifting a patient.
- **DO NOT** use a sling unless it is recommended for use with the lift.
- **ALWAYS** check the sling is suitable for the particular patient and is of the correct size and capacity.
- **NEVER** use a sling which is frayed or damaged.
- **ALWAYS** fit the sling according to the instructions provided (user instructions).
- **DO NOT** exceed the safe working load.
- **ALWAYS** check the safe working load of the lift is suitable for the weight of the patient.
- **ALWAYS** carry out lifting operations according to the instructions in the user manual.
- **NEVER** disconnect or bypass a control or safety feature because it seems easier to operate the lift.
- **DO NOT** lift a patient with the castor brakes on. Always let the lift find the correct centre of gravity.
- **DO NOT** attempt to manoeuvre the lift by pushing on the mast, boom or patient.
- **ALWAYS** manoeuvre the lift with the handle / foot push pad provided.
- **ALWAYS** lower the patient to the lowest comfortable position before transfers.
- **DO NOT** push a loaded lift at speeds which exceed a slow walking pace (3 Km/hour 0.8 metres/second).

- **DO NOT** push the lift over uneven or rough ground. Particularly if loaded.
- **DO NOT** attempt to push/pull a loaded lift over a floor obstruction.
- **NEVER** force an operating/safety control. All controls are easy to use and do not require excessive force.
- The **MINIMUM** load required to manually lower the hoist using the mechanical emergency down function is 30 kg.
- **DO NOT** park a loaded lift on **ANY** sloping surface.
- **DO NOT** use electric lifts in a shower.
- **DO NOT** charge an electric lift in a bathroom or shower room.
- **DO NOT** lift a patient unless you are trained and competent to do so.
- **YOUR** lift is for patient lifting. **DO NOT** use it, or allow it to be used, for any other purpose.
- **DO NOT** bump the lift down steps, loaded or unloaded.
- **DO NOT** attempt to negotiate a loaded lift on a slope which exceeds 1:12 (approximately 5 degrees).
- **DO NOT** attempt to negotiate a slope without a second helper being present.
- **DO NOT** use in a wet or corrosive environment such as poolside locations.

7. Smart Monitor & Handset



Intended Use

The Oxford Smart Monitor is a control system for Oxford Hoists. The Smart Monitor stores useful servicing information about the hoist that can be recalled when required. This servicing information includes:

- Number of patient lift cycles
- Total work done by actuator
- Number of lift overloads (attempted lifts above the safe working load)
- Number of days since last service interval

The Oxford Smart Monitor contains a microprocessor inside making it possible to read out service data via the on-board LCD screen.

Features

- Data collection in the control box with data display via LCD screen
- Work counter
- Intelligent cycle counter
- Service indicator
- Service interval indicator
- Overload information
- 3 step battery indicator


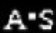


Benefits

- Improved safety for both patient and carer
- Accurate service data available at the touch of a button
- Optimised product life time
- Ease of maintenance for engineers and service technicians

LCD Display Screen

The Oxford Smart Monitor has the option to read out information via the LCD display screen. It is possible to read out total lifting cycles, total work done, overloads and number of days since last service, which can be used to quickly and easily evaluate the condition of the lift actuator.

This information is accessed by a ½ second press on the 'UP' button on the User handset or redundant 'UP' button on the Smart Monitor.

	12034	— Total Lifting Cycles
	1257000	— Total Work Done (Amps * Seconds)
	7	— Number of Overloads
	90/180	— Number of Days (since last service) / Number of Days (between services)

Service & Usage Information



When it is time for a service, the service symbol will appear on the display. In addition, when the user handset is activated, the Smart Monitor will give an audible signal giving notice to users that a service is required.

The service symbol will be displayed each time the raise or lower keys are depressed on the User handset. When the service symbol is displayed, contact your authorised service provider immediately to arrange a service.

You may continue to use your lift for a short period of time until a service has been carried out.

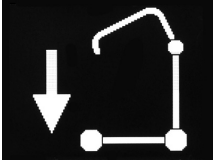


If the lift stops because of an overload (an attempt to lift more than the safe working load) the overload symbol will appear on the LCD display and the lift will cease to operate until the additional load (above the SWL) has been removed.

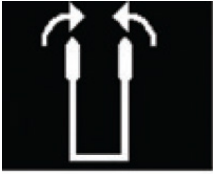
WARNING

If the LCD display screen on your Smart Monitor has recorded an overload, Joerns Healthcare recommend that ALL routine daily checks are carried out on the lift prior to further use (for a list of daily checks, please refer to your lift user manual). Joerns Healthcare also recommend that you contact your authorised Oxford service provider for additional guidance.

On-Board Redundant Controls



On-board redundant controls enable the lift to be raised or lowered in the event of an emergency.

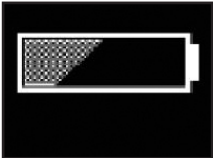


If your lift incorporates powered leg positioning, there are redundant controls to both open and close the legs.

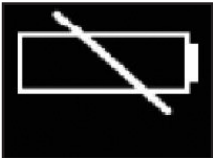
Battery Information



The display showing full battery means that the battery is fully charged and the lift is ready for use.



The display showing a half empty battery indicates that it is time to charge the battery.



The empty battery symbol showing on the display indicates that the battery has no capacity left and should be placed on charge immediately.

WARNING

To avoid possible permanent damage to the battery, the battery should be placed on charge as soon as the display indicates the half empty battery symbol.

8. Operating Instructions

1. Leg adjustment

The legs on the Oxford Ascend are electrically adjustable for width. The legs can be opened to enable access around armchairs or wheelchairs. For transferring and negotiating narrow doorways and passages the lift legs should be in the closed position.

Electric leg adjustment - is achieved by pressing the appropriate buttons on the handcontrol. The legs will be locked whenever the handcontrol switch is released.

2. Castors and Braking

The lift has two braked castors which can be applied for parking. When lifting, the castors should be left free and un-braked. The lift will then be able to move to the centre of gravity of the lift. If the brakes are applied it is the patient that will swing to the centre of gravity and this may prove disconcerting and uncomfortable.

3. Raising and lowering the boom

The movement of the boom is achieved by a powerful electric actuator, which is controlled by a simple hand control unit. The handcontrol has two buttons with directional arrows UP and DOWN ↑↓. The actuator stops automatically at the limit of travel in both directions. The handcontrol plugs into a socket at the base of the control box.

4. Emergency Stop

The red Emergency Stop Button is located on the front of the control box and is activated by pressing in. This will cut all power to the lift and only be reset by twisting the button anticlockwise and releasing.

5. Redundant controls

All Oxford lifts are fitted with raise and lower buttons on the control box. These are located underneath the emergency stop button and can be used to lower/raise the patient should the hand control fail.

6. Mechanical Emergency Down

In the case of a complete electrical failure the electrical actuator is fitted with mechanical lowering device (RED BOSS). This will only operate when the lift is under load. The device must be pulled upwards to activate, and a slow decent will commence.

Note: The MINIMUM load required to manually lower the hoist using the mechanical emergency down function is 30 kg.

7. Batteries

A LOW VOLTAGE ALARM protects the batteries from deep discharge. This will sound when the batteries need recharging and the hand control is being operated. It will not sound independently of the hand control being operated. **DO NOT IGNORE THIS WARNING ALARM.** Complete the lifting operation and place the battery on charge (see charging instructions). The battery charge level is displayed by the indicator on the control box.

CAUTION

The battery, charger, hand control, control box and actuator should not to be opened by unauthorised personnel. (Contact your distributor for warranty and repairs).

8. Slings

The Oxford Ascend is suitable for patients in the SITTING position. The slings suitable for this device are listed as follows:

- Oxford Transport
- Oxford Standing

9. Knee Pad Adjustment

The Ascend has an adjustable kneepad. The range of travel is 6 inches. Adjustment is achieved by loosening the knob located on the left hand side of the pad, so to loosen the assembly enough to move the knee pad in either the upward, or downward position.

10. Removable Footplate

The Ascend has a removable footplate. To remove the foot plate, move to the front of the product, and lift the footplate upward from the middle of the assemble. NOTE Be careful when lifting the footplate from its low-seated position.

9. Charging Instructions

When the power pack needs charging it is removed from the lift and fitted to an off board charging unit.

Joerns Healthcare recommend an additional battery pack is purchased, so that one pack can be on charge at all times.

1. Remove the power pack from the lift. The pack is retained by a simple latch at the top of the power pack. Lift the latch and the power pack will be released.
2. Fit the power pack to the charging unit. The location and latching of the power pack to the charger is the same system as used on the lift.
3. Plug the charger mains plug into a suitable mains outlet and switch the mains supply ON.
4. Charging is automatic and will fully charge the batteries over a period of four (4) hours.

NOTE: Even if the charger is left plugged in for extended periods it will not allow the batteries to overcharge.

- a) Green Light - Indicates main power is on.
- b) Yellow Light - Indicates battery is charging.
- c) Battery will be fully charged when yellow light goes off.

NOTE: It is recommended that the battery be charged immediately upon receipt.

5. To return the lift to service, switch OFF the mains supply and remove the power pack from the charger. Fit the power pack to the lift and make sure the latch holding the pack in place is fully engaged. "Click" in place. The charging of Oxford electric lifts is simple and straightforward, but it is important to follow the charging instructions closely. Please pay particular attention to the following points, they will help you avoid problems with discharged batteries.

WARNING

- **The battery, charger, hand control & control box are NOT to be opened by unauthorised personnel. (Contact your distributor for warranty and repairs).**
- **DO NOT touch battery/charger terminals.**
- **KEEP the batteries fully charged. Place the battery on charge whenever it is not in use. If it is more convenient to do so, place on charge every night. The charger will not allow the batteries to overcharge.**
- **NEVER run the batteries completely flat. As soon as the audible warning sounds, complete the lifting operation in hand and place on charge.**
- **To avoid possible permanent damage to the battery, the battery should be placed on charge as soon as the display indicates the half empty battery symbol.**
- **NEVER store the battery for long periods without regular charging throughout the storage period.**
- **ALWAYS make sure the mains power to the charger is switched off before connecting or disconnecting the battery pack.**

- **NEVER** leave the battery pack connected with the charger mains power switched off.
- **DO NOT** leave the charger switched on with the battery disconnected.
- **DO NOT** use the lift while charging is taking place.
- **CHECK** the lift is not charging before moving as the electrical connection may be damaged.
- **NEVER** disconnect the charger plug by pulling on the cable.
- **BE CAREFUL** not to trip over the charge lead.
- **DO NOT** charge an electric lift in a bathroom or shower room.

10. Maintenance Schedule & Daily Check List

All Oxford products are designed for minimum maintenance, however some safety checks and procedures are required. A schedule of DAILY tasks are detailed below. Daily checks and a six monthly service, inspection and test will ensure a lift is kept in optimum safe working condition. A list of spare parts is available upon request.

The **LOAD TEST** and certification should only be carried out by qualified personnel or an authorised service agent / dealer.

DAILY CHECK LIST: Joerns Healthcare strongly recommends the following checks be carried out on a daily basis and before using lift.

- MAKE SURE the lift moves freely on its castors.
- EXAMINE the spreader bar (cow horns) is firmly attached to the boom.
- EXAMINE the sling hooks and attachment clips on the spreader bar and boom for excessive wear.
- MAKE SURE the legs open and close correctly.
- OPERATE the hand control to confirm the boom raises and lowers satisfactorily.
- CHECK the operation of the emergency stop button.
- EXAMINE slings for fraying or other damage. DO NOT use any sling if damaged or if the sling shows signs of wear.
- CONFIRM the lift is not giving a low battery alarm when the hand control is operated. If the alarm sounds, **DO NOT** use and place on charge immediately.

Maintenance, Inspection and Test

Joerns Healthcare recommend a thorough inspection and test of the Oxford Ascend lift and lifting accessories, slings, scales etc is carried out on a regular basis. Inspection frequency varies depending on locality, so you must check with your dealer or local government agency as appropriate regarding how often an inspection is required. The examination and test should be conducted according to the recommendations and procedures provided in this manual. Joerns Healthcare recommends maintenance, inspection and certified testing is carried out by authorised service agent / dealers only.

NOTE: These recommendations are in compliance with the requirements of 1998 No2307 Health and Safety: The Lifting Operations and Lifting Equipment Regulations 1998. This is a UK regulation.

Outside the UK please check your local requirements.

***THESE CHECKS SHOULD INCLUDE:**

	Initially	Before Use	Service Intervals
1. BOOM: Check the attachment of the boom to the mast. Make sure there is only minimal side movement of the boom and the boom is free to rotate on the boom bearing.	✓	✓	✓
2. SLING ATTACHMENT POINTS: Examine the sling hooks and attachment clips on the spreader bar and boom for excessive wear.	✓	✓	✓
3. MAST: Check the operation of the mast-locking device. Make sure the mast fully engages into the socket.	✓	✓	✓
4. ACTUATOR: The actuator should require no maintenance other than checking for correct operation and listening for unusual noise.			✓
5. KNEE PAD: Check knee pad adjuster is fastened securely.	✓	✓	
6. SMART MONITOR: Check the function of the emergency stop button. Inspect the hand control socket for correct fitting. Check functioning of the hand control. Check the redundant controls and confirm they operate as intended. The MINIMUM load required to manually lower the hoist using the emergency lower function is 30 kg.	✓	✓	✓
7. BATTERIES: The batteries are housed in the power pack and should not require maintenance other than the regular charging as detailed in the charging instructions. Check that the connections remain clean.			✓
8. BATTERIES (Charging): Confirm the lift is not giving a low battery alarm when the hand control is operated. If the alarm sounds, do not use and place the battery on charge immediately.	✓	✓	
9. LEG ADJUSTMENT: Check the legs operate in both full extensions (inward/outward).	✓	✓	✓
10. CASTORS: Check all castors for firm attachment to the legs. Check for free rotation of the castor and the wheels.	✓	✓	✓
11. CLEANING: Using a damp cloth, wipe clean with ordinary soap and water and/or any hard surface disinfectant. Harsh chemical cleaners or abrasives should be avoided as these may damage the surface finish of the lift. Avoid wetting any of the electrical parts.		✓	✓
12. LOAD TEST: The load test should be carried out in accordance with the local market test procedures. It is strongly recommended the testing is carried out by an authorised service dealer.			✓
13. BASE AND WHEELS: Ensure base is even and level (all four wheels are on the floor).	✓	✓	✓
14. SLINGS: Check for wear and fraying.	✓	✓	✓
15. LUBRICATION: Lubricate pivot joints with a silicone based oil, including mast and boom connections, pedal assembly, spreader bar joint (only if required).			✓
16. HAND SET: Ensure plugged fully into controller.	✓	✓	

11. Technical Specification

Safe Working Load	375 lbs	170 kg
Maximum Overall Length	43.3 inches	1100 mm
Minimum Overall Length	40.8 inches	1035 mm
Maximum Overall Height	66.5 inches	1690 mm
Minimum Overall Height	48.4 inches	1230 mm
Maximum Height to attachment point.....	64.7 inches	1644 mm
Minimum Height to attachment point.....	37 inches	940 mm
Turning Radius	51.9 inches	1320 mm
Legs Open - External Width	39.1 inches	995 mm
Legs Open - Internal Width	34.8 inches	885 mm
Legs Closed - External Width	24.8 inches	630 mm
Legs Closed - Internal Width	20.0 inches	510 mm
Widest Point (between support handles)	28.9 inches	735 mm
Overall Height of Legs.....	4.7 inches	120 mm
Ground Clearance	1.4 inches	35 mm
Front Twin Castors.....	4.0 inches	100 mm
Rear Braked Castors.....	4.0 inches	100 mm
Weights		
Mast, Base & Boom Assembly.....	97 lbs	44.0 kg
Power Pack	6.6 lbs	3 kg
Total.....	103.6 lbs	47.0 kg
Base Assembly (not inc battery)	42.9 lbs	19.5 kg
Mast & Boom (not inc battery)	45.1 lbs	20.5 kg

NOTE: Manufacturing tolerances apply to all dimensions.

Electrical Specifications

BATTERIES.....	24 volt Rechargeable sealed lead acid type
BATTERY CAPACITY.....	3.2 Ampere hours
CHARGER RATED INPUT	100 - 240 V AC// 24 VDC 50/60 Hz
CHARGER RATED OUTPUT	29.5 VDC, Max. 19 W

Electric Shock Protection

CHARGER.....	CLASS II
LIFT	INTERNAL POWER SOURCE

Degree of Shock Protection

CHARGER.....	TYPE B
LIFT	TYPE B

Environmental Conditions

Outside this environment functionality and safety may be compromised.

Operating:

Temperature	5°C to 35°C
Relative humidity	20% to 90% @ 30°C - not condensing
Atmospheric pressure	700 to 1060 hPa

Storage:

Temperature	5°C to +50°C
Relative humidity	20% to 90% @ 30°C - not condensing
Atmospheric pressure	700 to 1060 hPa

IP RATINGS

Control Box	IPX4
Actuator	IPX4
Off Board Charger	IPX5
Battery	IPX5
Handset	IPX5

DUTY CYCLES

Actuator	10% (2 min./18 min.)
Charger	Approx. 4 hrs.

ACOUSTICS

A-Weighted sound power level	55.6 dB (A)
------------------------------------	-------------

Key Symbols

The following symbols are used on the charger, control unit and battery:



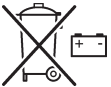
Type B equipment, as per EN 60601-1



Class 2 equipment



The disposal of the charging and control unit should not be mixed with general household waste



The disposal of batteries should not be mixed with general household waste.



The disposal of electronics should not be mixed with general household waste



For indoor use



ATTENTION, consult accompanying documents.

12. Warranty

Joerns Healthcare has an established network of authorised distributors and service agents who will be pleased to handle all of your purchasing, warranty, repair and maintenance enquiries. It is recommended that our products are commissioned by your authorised distributor or service agent.

The distributor or service agent operates the warranty programme, so it is important to keep a record of their name, address and telephone number so they can be contacted should any problem arise. If you are in any doubt as to where your lift was purchased, Joerns Healthcare can trace the supplier if you quote the serial number of the lift.

All warranty claims are subject to the correct use and maintenance in accordance with the user instruction manual provided with each lift. Damage caused by use in unsuitable environmental conditions or failure to maintain the product in accordance with user and service instructions is not covered. Your statutory rights remain unaffected.

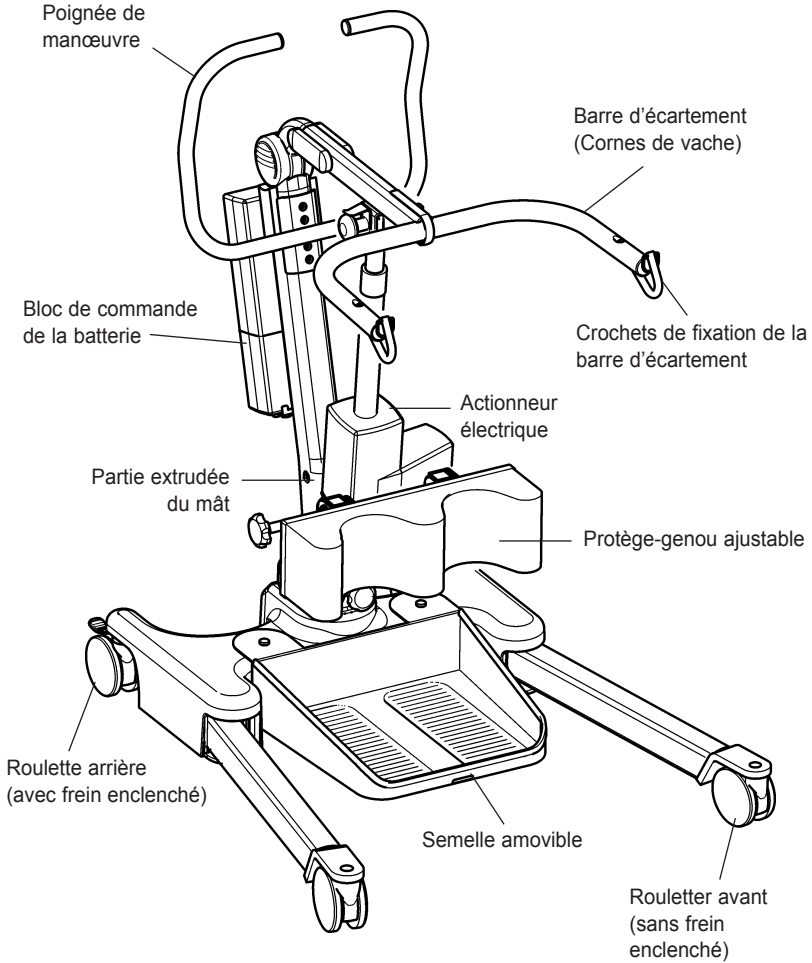
REMEMBER: Contact your authorised distributor or service agent for purchases, repairs, servicing and certified maintenance.

Your distributor:

Table des matières

1. Lève-personne Oxford Ascend.....	29
2. Introduction: À propos de votre lève-personne	30
3. Instructions de montage et de mise en service.....	31
4. Guide des courroies	35
5. Soulever le patient à l'aide du Oxford Ascend.....	36
6. Consignes de sécurité.....	37
7. Moniteur Smart et commande manuelle.....	39
8. Instructions de fonctionnement	43
9. Instructions de charge	45
10. Périodicité d'entretien.....	47
11. Spécifications techniques.....	49
12. Garantie.....	52

1. Lève-personne Oxford Ascend



2. Introduction: A propos de votre lève-personne

Chaque lève-personne Ascend a été entièrement assemblé, soumis à des tests de charge et homologué avant d'être emballé/expédié.

L'emballage de chaque lève-personne comprend une pochette contenant un certain nombre de documents qui doivent être conservés en lieu sûr au cas où ils devraient être consultés ultérieurement.

- CERTIFICAT D'ESSAI
- CARTE DE GARANTIE DU DISTRIBUTEUR (Europe uniquement)
- MANUEL D'UTILISATION
- CARTE DE SATISFACTION (Europe uniquement)
- LISTE DE VERIFICATIONS D'EMBALLAGE

Le CERTIFICAT D'ÉPREUVE est un document important dont vous aurez besoin pour votre assurance. Il est valide pendant six mois, après cette période le lève-personne doit être inspecté et entretenu suivant le cycle d'entretien.

L'entretien et les essais périodiques peuvent être effectués par votre revendeur agréé en cas de besoin (Europe). Assurez-vous que votre lève-personne est inscrit dans le calendrier d'entretien de votre revendeur. En cas d'incertitude concernant les normes d'entretien locales, veuillez vous renseigner auprès d'un organisme gouvernemental local et / ou de Joerns Healthcare.

Marque CE : Le lève-personne Oxford Ascend porte le marquage CE et est conforme aux directives européennes suivantes :



- Directive « Dispositifs médicaux » (93/42/CEE)
- Directive « Compatibilité électromagnétique » (89/336/CEE)
- Directive « Basse tension » (73/23/CEE)

Déclaration d'utilisation prévue

L'usage prévu de cet appareil de levage consiste à lever et à transférer en toute sécurité un patient depuis un point à un autre (par ex. depuis un lit vers un fauteuil roulant). Joerns Healthcare recommande de toujours procéder à une évaluation des risques avant d'entreprendre le transfert d'un patient, et de limiter le transfert à de courtes distances.

Le lève-personne Oxford Ascend est prévu pour les patients en position ASSISE seulement, capables de maintenir un minimum leur poids mais nécessitant une assistance pour se mettre en position debout. Pour utiliser le lève-personne Oxford Journey comme aide à la marche, il suffit de retirer le cale-pieds après avoir procédé à une évaluation des risques afin de déterminer l'adéquation du matériel à cet effet.

Le lève-personne Oxford Ascend est prévu pour assurer et promouvoir la sécurité à la fois du patient et de l'aide-soignant.

Le lève-personne Oxford Ascend est prévu pour être utilisé avec les différentes sangles Oxford. Les exemples de sangles compatibles avec ce matériel sont énumérés ci-dessous :

- Oxford Sangle pour la mise en position debout
- Oxford Sangle pour le transport

Durée de vie prévue

Les lève-personnes Oxford Professional sont conçus et testés pour une durée de vie minimum de dix (10) ans, si les consignes d'utilisation et d'entretien énoncées dans le présent manuel sont respectées. Toute utilisation non conforme aux consignes peut compromettre la durée de vie du matériel.

3. Instructions de montage et de mise en service

Placez la boîte sur une surface bien dégagée et ouvrez-la avec précaution. Elle contient:

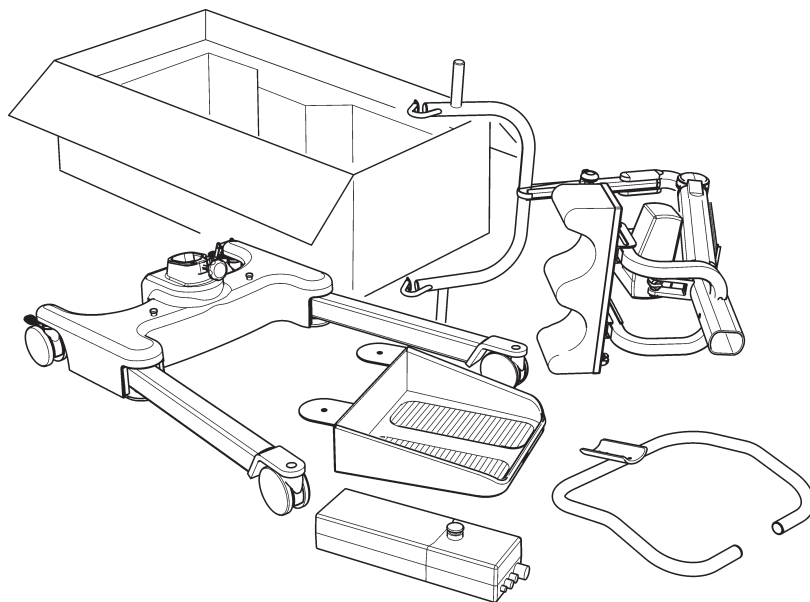
- LÈVE-PERSONNE OXFORD ASCEND
- UNE POCLETTE CONTENANT DES DOCUMENTS
- UNE COMMANDE MANUELLE
- BLOC BATTERIE
- FIL DE CHARGE
- CHARGEUR / SUPPORT POUR BUREAU

⚠ AVERTISSEMENT

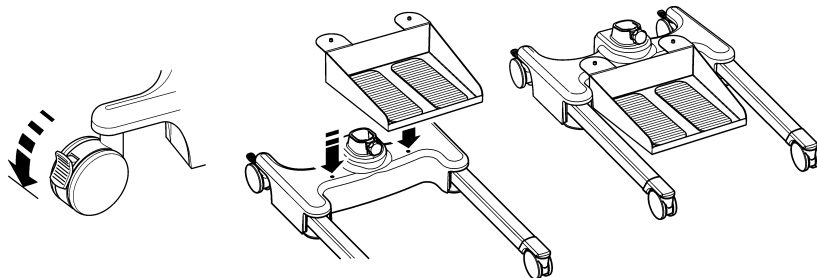
L'appareil Oxford Ascend est lourd et doit être soulevé avec précaution. Vous aurez éventuellement besoin d'aide pour soulever l'appareil Oxford Ascend et le sortir de sa boîte.

Montage

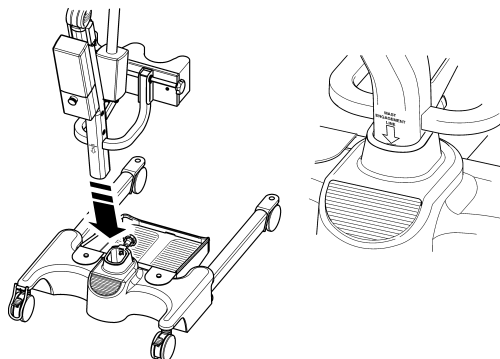
Retirez toutes les pièces de la boîte et placez-les par terre, en prenant soin de protéger le fini.



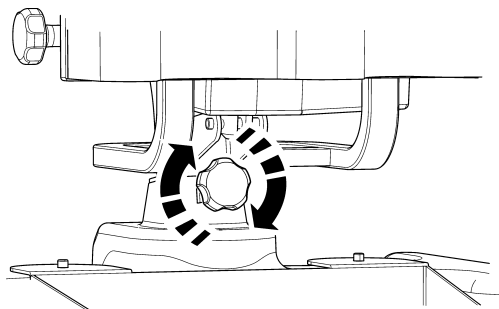
1. Placez le châssis dans un endroit dégagé et enclenchez les freins arrière. Fixez le cale-pied à la base à l'aide des trous de fixation scellés dans la base.



2. Enfoncez le mât et la flèche dans la douille du châssis.



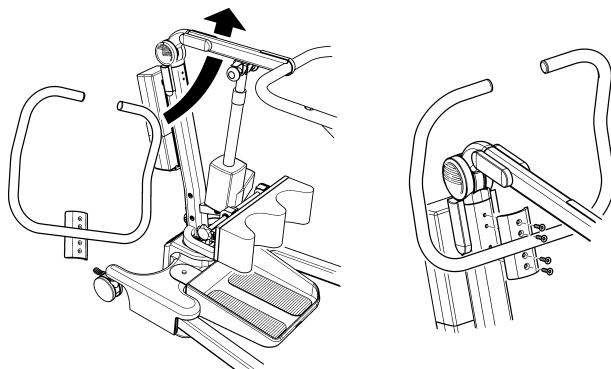
3. Resserrez le mât à l'aide du dispositif de verrouillage du mât situé devant le châssis.



⚠ AVERTISSEMENT

Évitez de coincer vos doigts. Lorsque vous insérez le mât dans la fente, gardez vos doigts à l'écart de l'extrémité du mât. L'enclenchement complet du mât est indiqué par l'étiquette située sur son côté. Le pied électrique ne fonctionnera pas si le mât n'est pas totalement enclenché.

4. Faites tourner le bouton de verrouillage jusqu'à ce qu'il soit légèrement serré.
5. Alignez la poignée avec le mât et fixez-la à l'aide des attaches fournies. Les attaches et la clé nécessaires à la fixation de la poignée se trouvent dans la poche du manuel d'utilisation.



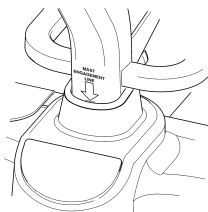
6. Replacez le bloc d'alimentation sur le lève-personne et vérifiez que la bride le maintenant est totalement enclenchée. Enclenchez le bloc.

Démontage

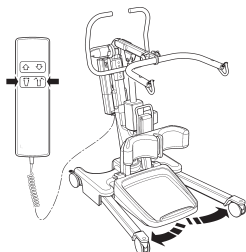
Le lève-personne ne doit être démonté que pour être réparé, entretenu ou transporté. Par conséquent, suivez les instructions de montage dans l'ordre inverse.

EFFECTUEZ TOUJOURS LES VÉRIFICATIONS SUIVANTES AVANT D'UTILISER L'APPAREIL:

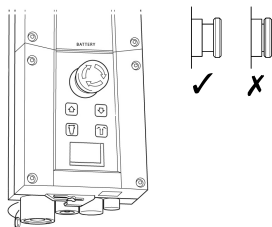
- Le mât est complètement verrouillé en position



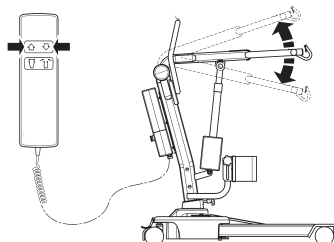
- Les pieds du lève-personne s'ouvrent et se referment de façon satisfaisante (Pour cela, utilisez la commande manuelle).



- Le bouton rouge d'arrêt d'urgence, situé à l'arrière du boîtier de commande, est en position OFF (arrêt).



- Appuyez sur les boutons « up » (vers le haut) et « down » (vers le bas) de la commande manuelle pour confirmer que la flèche se lève et s'abaisse.



4. Guide des courroies

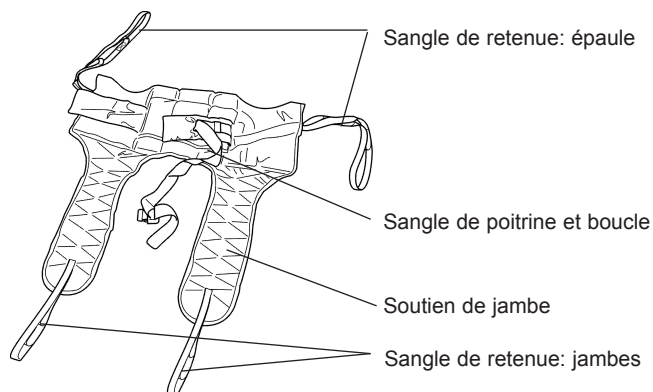
L'appareil Oxford Ascend convient à des patients ASSIS. Les courroies convenant à ce dispositif sont décrites ci-après:

- Oxford Transport
- Oxford Standing

Guide d'utilisation des courroies Standaid

Les courroies de transport et de levée sont faciles à installer et permettent de soulever et de soutenir le patient. Il ne s'agit pas d'une courroie à usage général et les patients désirant l'utiliser doivent être évalués par une personne qualifiée.

Courroie de transport



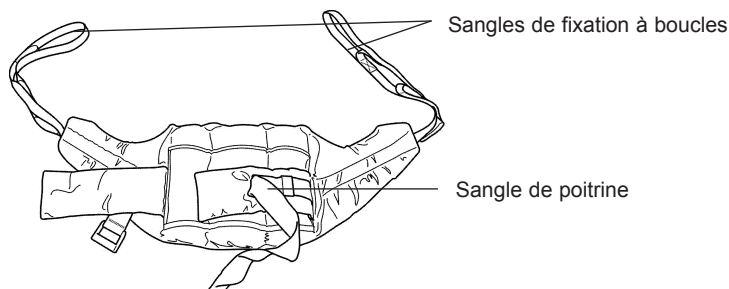
Glissez la courroie le long du dos du patient, en laissant la partie supérieure de l'ouverture du siège hygiénique à la base de la colonne vertébrale. Vérifiez que la partie flexible de la courroie est perpendiculaire au dos du patient.

Fixez la sangle de retenue autour de la poitrine du patient. Elle n'a pas besoin d'être serrée. Elle sert à maintenir la courroie en position lors de la fixation des sangles au Standaid. Vous pouvez totalement l'ignorer, si vous le désirez. Vérifiez que les bras du patient sont à l'extérieur de la courroie.

Soulevez la jambe du patient et faites passer la sangle de retenue en dessous des jambes, puis faites-la remonter entre ces dernières. Vérifiez que la courroie n'est ni tordue, ni coincée sous la cuisse. Répétez cette procédure pour l'autre jambe. Attachez les sangles des parties flexibles de la courroie aux crochets blancs situés à l'extrémité des poignées.

Sans pour autant croiser les boucles des sangles de retenue des jambes, attachez les boutons noirs gauche et droit sur la fourche de levage. En règle générale, nous vous conseillons d'utiliser l'anneau du milieu. Le patient est désormais prêt à être soulevé de son siège. Une fois qu'il a été soulevé de son siège le patient sera plus confortable s'il est rabaisé en position assise.

Courroie de levée



Faites glisser la courroie le long du dos du patient et installez-la entre le bas des épaules et le bas de la cage thoracique. Fixez les sangles de retenue autour de la poitrine du patient. Elles n'ont pas besoin d'être serrées. Elles servent à maintenir la courroie en position lors de sa fixation au Standard. Vous pouvez totalement les ignorer, si vous le désirez. Vérifiez que les bras du patient sont à l'extérieur de la courroie.

REMARQUE: Pour toute instruction détaillée sur la mise en place, reportez-vous au guide d'utilisation fourni avec chaque courroie.

⚠ AVERTISSEMENT

Joerns Healthcare vous conseille de vérifier, régulièrement et avant toute utilisation, que vos courroies ne sont ni effilochées, ni endommagées. N'utilisez JAMAIS une courroie usagée ou endommagée.

⚠ AVERTISSEMENT

OXFORD RECOMMANDE L'UTILISATION DE PIÈCES OXFORD AUTHENTIQUES. Les produits de sangle et de levage Oxford sont conçus pour être compatibles ensemble. Pour les directives spécifiques à votre pays au sujet de l'utilisation d'élingues et de leur compatibilité, veuillez lire l'étiquette de l'élingue ou contacter votre revendeur local ou Joerns Healthcare.

⚠ AVERTISSEMENT

Respectez la charge maximale du lève-personne. La charge de la courroie est limitée par la charge maximale du lève-personne.

5. Soulever le patient à l'aide du Oxford Ascend

Placez le Standard de manière à ce que les pieds du patient soient dans le plateau à pied et ses genoux contre le protège-genou. Commencez par attacher les boucles les plus longues de la courroie aux crochets gris situés à l'extrémité des poignées du Standard. Les mains du patient doivent se trouver sur les poignées. (Une fois que le patient a l'habitude de l'appareil, des boucles plus courtes peuvent l'aider à se mettre en position plus droite). Appuyez ensuite sur le bouton UP de la commande manuelle pour soulever le patient en position verticale.

6. Consignes de sécurité

Veillez lire et suivre les consignes de sécurité ci-dessous. Le fonctionnement et l'utilisation des lève-personnes Oxford sont simples et clairs. Si vous suivez ces quelques consignes de sécurité fondamentales, vous serez en mesure d'utiliser ce lève-personne facilement et sans problème.

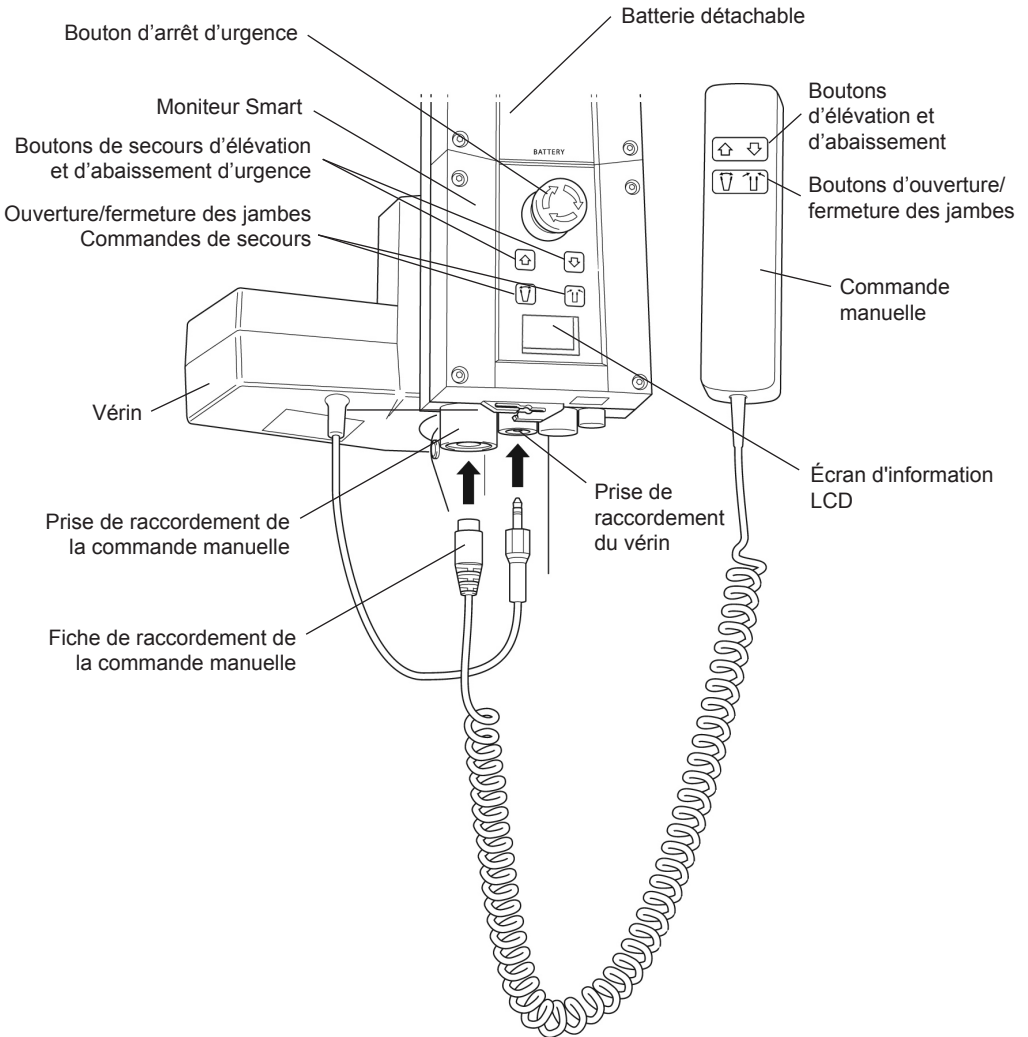
AVANT D'UTILISER VOTRE LÈVE-PERSONNE « ASCEND », LISEZ LES INSTRUCTIONS DU MANUEL D'UTILISATION ET VEILLEZ À BIEN LES COMPRENDRE

AVERTISSEMENT

- Planifiez **TOUJOURS** vos opérations de levage avant de commencer.
- Effectuez **TOUJOURS** les étapes de la **LISTE DES VÉRIFICATIONS QUOTIDIENNES** avant d'utiliser le lève-personne.
- Familiarisez-vous **TOUJOURS** avec les commandes et les dispositifs de sécurité d'un lève-personne avant de soulever un patient.
- **N'UTILISEZ PAS** de courroie, à moins que cela ne soit recommandé.
- Vérifiez **TOUJOURS** que la courroie convient au patient et qu'elle est de taille et de capacité appropriées.
- N'utilisez **JAMAIS** une courroie effilochée ou montrant des signes de détérioration.
- Ajustez **TOUJOURS** la courroie suivant les instructions fournies (consignes d'utilisation).
- **NE** dépassez **PAS** la charge maximale d'utilisation
- Vérifiez **TOUJOURS** que la charge maximale d'utilisation du lève-personne est compatible avec le poids du patient.
- Effectuez **TOUJOURS** le levage en fonction des instructions du manuel d'utilisation.
- Ne débranchez ni n'ignorez **JAMAIS** une commande ou un dispositif de sécurité sous prétexte que cela facilite l'utilisation du lève-personne.
- **NE** soulevez **PAS** un patient si les freins des roulettes sont enclenchés. Laissez toujours le lève-personne trouver le centre de gravité correct.
- N'essayez **PAS** de manœuvrer le lève-personne en poussant le mât, la flèche ou le patient.
- Manœuvrez **TOUJOURS** le lève-personne à l'aide du bouton poussoir manuel / à pied fourni.

- Amenez **TOUJOURS** le patient à la position la plus basse et la plus confortable avant un transfert.
- **NE** poussez **PAS** un lève-personne chargé à des vitesses dépassant une allure de marche lente (3 kilomètres / heure, soit 0.8 mètres / seconde).
- **NE** poussez **PAS** le lève-personne sur un terrain accidenté particulièrement s'il est chargé.
- N'essayez **PAS** de pousser / tirer un lève-personne chargé pour surmonter un obstacle au sol.
- **NE** forcez **JAMAIS** une commande de fonctionnement / de sécurité. Toutes les commandes sont faciles à utiliser et ne nécessitent pas une force excessive.
- La charge **MINIMALE** requise pour abaisser manuellement le lève-personne à l'aide de la fonction d'abaissement mécanique d'urgence est de 30 kg.
- **NE** rangez **JAMAIS** un lève-personne chargé sur **UNE** surface inclinée.
- N'utilisez **PAS** les lève-personnes électriques dans la douche.
- **NE** chargez **PAS** un lève-personne électrique dans une salle de bains ou une salle de douche.
- **NE** soulevez **PAS** un patient si vous n'en avez ni l'expérience ni la compétence.
- **VOTRE** lève-personne est prévu pour soulever des patients. **NE** l'utilisez **PAS**, et n'autorisez personne à s'en servir à d'autres fins.
- **NE** forcez **PAS** le lève-personne à descendre des marches, qu'il soit chargé ou non.
- N'essayez **PAS** de déplacer un lève-personne chargé sur une pente de plus de 1:12 (environ 5 degrés).
- N'essayez **PAS** de monter ou de descendre une côte sans une autre personne à vos côtés.
- N'utilisez **PAS** le lève-personne dans un endroit mouillé ou corrosif, tel que les abords d'une piscine.

6. Moniteur Smart et commande manuelle



Utilisation prévue

Le moniteur Oxford Smart est un système de commande prévu pour les lève-personnes Oxford Mobile. Le moniteur Smart enregistre de précieuses données de service relatives à l'utilisation du lève-personne, lesquelles peuvent être consultées à tout moment, notamment :

- Nombre de cycles de levage des patients
- Charge de travail totale réalisée par le vérin
- Nombre de levages effectués en surcharge (tentatives de levage avec une charge supérieure à la charge maximale autorisée)
- Nombre de jours écoulés depuis le dernier entretien

Le moniteur Oxford Smart contient un microprocesseur qui permet de lire les données de service sur l'écran d'affichage LCD embarqué.

Caractéristiques

- Collecte des données dans la boîte de commande et affichage des données sur l'écran LCD
- Compteur d'opérations
- Compteur de cycles intelligent
- Indicateur d'entretien
- Indicateur d'intervalle entre 2 entretiens
- Informations sur l'utilisation en surcharge
- Indicateur de batterie à 3 témoins


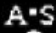


Avantages

- Sécurité renforcée pour le patient et l'assistant
- Données de service précises sur simple activation d'un bouton
- Durée de vie prolongée du produit
- Simplicité d'entretien pour les ingénieurs et les techniciens

Écran d'affichage LCD

Le moniteur Oxford Smart permet l'affichage d'informations sur l'écran LCD. Il peut, par exemple, afficher le nombre total de cycles de levage, la charge de travail totale effectuée, les surcharges et le nombre de jours écoulés depuis le dernier entretien. Ces informations permettent de rapidement évaluer l'état du vérin du lève-personne.

Pour afficher ces informations, appuyez une demi-seconde sur le bouton 'HAUT' de la commande manuelle ou sur le bouton de secours 'HAUT' du moniteur Smart.

	12034	—	Total des cycles de levage
	1257000	—	Total de la charge de travail effectuée (Ampères * Secondes)
	7	—	Nombre de surcharges
	90/180	—	Nombre de jours (depuis le dernier entretien) / Nombre de jours (entre deux entretiens)

Information sur l'entretien et l'utilisation



Quand arrive le moment de faire faire l'entretien, le symbole Service s'affiche à l'écran. De plus, lorsque la commande manuelle est activée, le moniteur Smart émet un signal sonore pour attirer l'attention de l'utilisateur sur le fait que l'entretien arrive à échéance.

Le symbole Service s'affichera à l'écran à chaque fois que les touches d'élévation ou d'abaissement sont actionnées sur la commande manuelle. Lorsque le symbole Service s'affiche, contactez immédiatement votre service d'entretien agréé pour prendre rendez-vous.

Vous pouvez continuer à utiliser le lève-personne pendant une brève période en attendant la visite d'entretien.

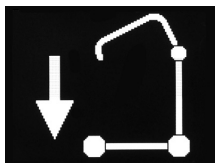


Si le lève-personne s'arrête en raison d'une surcharge (la charge à lever est supérieure à la charge maximale autorisée), le symbole de surcharge s'affiche sur l'écran LCD et le fonctionnement du lève-personne est interrompu jusqu'à ce que l'excès de charge ait été supprimé.

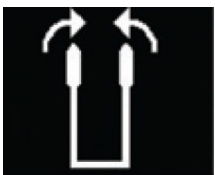
⚠ AVERTISSEMENT

Après la détection de surcharge par le lève-personne, Joerns Healthcare recommande d'effectuer TOUTES les vérifications de routine avant de réutiliser l'appareil (vous trouverez la liste des vérifications quotidiennes dans le manuel d'utilisation fourni avec le lève-personne). Joerns Healthcare vous recommande également de contacter votre service d'entretien agréé.

Commandes de secours embarquées



Les commandes de secours embarquées permettent de lever ou d'abaisser le lève-personne en situation d'urgence.

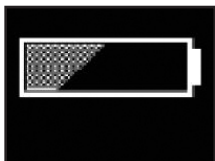


Si votre lève-personne comprend une fonction de positionnement des jambes intégrée, les commandes de fermeture et ouverture des jambes seront inutiles.

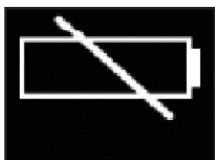
Niveau de batterie



Le symbole de la batterie pleine indique que la batterie est à pleine capacité et le lève-personne est prêt à l'emploi.



Le symbole de la batterie à moitié pleine indique qu'il est nécessaire de recharger la batterie.



Le symbole de la batterie vide indique que la batterie est complètement déchargée et doit être mise en charge immédiatement.

⚠ AVERTISSEMENT

Pour éviter tout endommagement irréversible de la batterie, il convient de mettre celle-ci en charge dès que l'écran affiche le symbole de la batterie à moitié pleine.

8. Instructions de fonctionnement

1. Réglage des pieds

La largeur des pieds de l'appareil Oxford Ascend est réglable. Les pieds peuvent être ouverts pour faciliter l'accès autour des fauteuils ou des chaises roulantes. Pour permettre les transferts et le passage par des portes et des endroits exigus, les pieds du lève-personne doivent être en position fermée.

Le réglage des pieds électriques - est accompli en appuyant sur certains boutons de la commande manuelle. Les pieds se bloquent lorsque l'interrupteur de la commande manuelle est relâché.

2. Roulettes et freinage

Le lève-personne comporte deux roulettes à frein, qui permettent d'immobiliser l'appareil. Durant le levage, les roulettes doivent rester libres et ne pas être bloquées. Le lève-personne peut ainsi se diriger vers son centre de gravité. Si les freins sont enclenchés, le patient peut basculer vers le centre de gravité, ce qui peut s'avérer déconcertant et inconfortable.

3. Levage et abaissement de la flèche

Le mouvement de la flèche est transmis par un puissant actionneur électrique, qui est lui-même contrôlé par une simple unité de commande manuelle. La commande manuelle est munie de deux boutons sur lesquels se trouvent les flèches UP (vers le haut) et DOWN (vers le bas). L'actionneur s'arrête automatiquement en fin de course dans les deux sens. La commande manuelle se branche sur une prise située à la base du boîtier de commande.

4. Arrêt d'urgence

Le bouton rouge d'arrêt d'urgence, situé à l'arrière du boîtier de commande, est activé lorsqu'on appuie dessus. Cela coupe l'alimentation du lève-personne, laquelle n'est rétablie que lorsque le bouton est tourné dans le sens antihoraire, puis relâché.

5. Commandes de secours

Tous les lève-personnes Oxford sont équipés de boutons d'élévation et d'abaissement sur le boîtier de commande. Ils sont situés sous le bouton d'arrêt d'urgence et peuvent servir à élever / abaisser le patient en cas de panne de la commande manuelle.

6. Descente mécanique d'urgence

En cas de panne électrique totale, l'actionneur électrique est doté d'un dispositif de descente mécanique (BOSSAGE ROUGE). Celui-ci ne fonctionne que lorsque le lève-personne est chargé. Ce dispositif doit être tiré vers le haut pour s'activer, après quoi une descente lente commence.

Remarque: La charge MINIMALE requise pour abaisser manuellement le lève-personne à l'aide de la fonction d'abaissement mécanique d'urgence est de 30 kg.

7. Batteries

Les batteries sont protégées contre les décharges poussées par une ALARME DE BASSE TENSION. Celle-ci retentit lorsque les batteries doivent être rechargées et que la commande manuelle est en usage. Elle ne retentit pas si la commande manuelle n'est pas en usage. **NE NÉGLIGEZ PAS CETTE ALARME.** Achevez le levage et mettez l'appareil sous charge (voir instructions de charge). Le niveau de charge de la batterie est affiché par l'indicateur sur le boîtier de commande.

AVERTISSEMENT

Seules les personnes autorisées sont habilitées à ouvrir la batterie, le chargeur, la commande manuelle, le boîtier de commande et l'actionneur. (Contactez votre distributeur pour tout renseignement sur la garantie et les réparations).

8. Courroies

L'appareil Oxford Ascend convient à des patients ASSIS. Les courroies convenant à ce dispositif sont décrites ci-après:

- Oxford Transport
- Oxford Standing

9. Réglage du protège-genou

L'appareil Ascend est équipé d'un protège-genou réglable, qui se déplace de 6 pouces. Pour le déplacer vers le haut ou vers le bas, desserrez le bouton situé à sa gauche.

10. Semelle amovible

Le lève-personne Ascend est équipé d'une semelle amovible. Pour enlever cette semelle, placez-vous à l'avant de l'appareil et soulevez la semelle à partir du milieu de l'assemblage. **REMARQUE** Faites bien attention lorsque vous soulevez la semelle de sa position basse.

9. Instructions de charge

Les batteries sont situées dans le bloc d'alimentation et elles sont rechargées au moyen d'un chargeur autonome.

Lorsque le bloc d'alimentation doit être rechargé, retirez-le du lève-personne et branchez-le sur le chargeur autonome.

Joerns Healthcare Ltd recommande l'achat d'un bloc batterie supplémentaire, afin qu'un bloc soit toujours chargé.

1. Retirez le bloc d'alimentation du lève-personne. Il est retenu par une simple bride située sur le dessus. Soulevez la bride et le bloc est dégagé.
2. Placez le bloc d'alimentation dans le chargeur. L'emplacement et la fixation du bloc d'alimentation sur le chargeur sont assurés par le même système que celui utilisé sur le lève-personne.
3. Branchez le fil / le cordon du chargeur sur une prise de courant appropriée et **ACTIVEZ** l'alimentation principale.
4. Les batteries se chargent complètement et automatiquement sur une période de huit à douze heures.

Remarque: Même si le chargeur reste branché pendant très longtemps, cela n'entraînera pas la « surcharge » des batteries.

- a) Voyant vert - Indique que l'appareil est sous tension.
- b) Voyant jaune - Indique que la batterie est en cours de recharge.
- c) La batterie est complètement rechargée une fois que le voyant jaune s'est éteint.

Remarque : La charge de la batterie prend 4 heures.
Il est conseillé de charger la batterie dès réception.

5. Pour remettre le lève-personne en service, **COUPEZ** l'alimentation principale et retirez le bloc d'alimentation du chargeur. Remplacez le bloc d'alimentation sur le lève-personne et vérifiez que la bride le maintenant est totalement enclenchée. Enclenchez le bloc. Le chargement des lève-personnes électriques Hoyer est simple et clair, mais vous devez absolument suivre les instructions à la lettre. Prêtez une attention toute particulière aux points suivants, vous éviterez ainsi de vous retrouver avec des batteries déchargées.

AVERTISSEMENT

- **La batterie, le chargeur, la commande manuelle et la boîte de commande NE doivent PAS être ouverts par du personnel non autorisé. (Contactez votre distributeur pour toute information sur la garantie et les réparations).**
- **NE touchez PAS les bornes de la batterie/du chargeur.**
- **VEILLEZ à ce que les batteries restent en permanence complètement chargées. Pendant les périodes de non-utilisation du lève-personne, mettez la batterie en charge. Vous pouvez également mettre la batterie en charge la nuit. Le chargeur interrompt automatiquement la recharge dès que les batteries sont pleines. Il n'y a pas de risque de surcharge**
- **NE laissez JAMAIS les batteries se décharger complètement. Dès que l'avertisseur sonore retentit, terminez le levage en cours, puis mettez-les batteries en charge.**
- **Pour éviter tout endommagement irréversible de la batterie, il convient de mettre celle-ci en charge dès que l'écran affiche le symbole de la batterie à moitié pleine.**

- **N'entreposez JAMAIS** la batterie pendant une longue période sans le recharger régulièrement.
- **Veillez à TOUJOURS** mettre le chargeur hors tension avant de brancher ou de débrancher le bloc d'alimentation.
- **Ne laissez JAMAIS** le bloc d'alimentation branché au chargeur si ce dernier est hors tension.
- **NE LAISSEZ PAS** le chargeur sous tension si la batterie est débranchée.
- **N'UTILISEZ PAS** le lève-personne pendant qu'il est en charge.
- **VÉRIFIEZ** que le lève-personne n'est pas en charge avant de le déplacer afin d'éviter tout endommagement électrique.
- **NE DÉBRANCHEZ JAMAIS** le chargeur en tirant sur le câble.
- **VEILLEZ** à ne pas trébucher sur le câble du chargeur.
- **NE RECHARGEZ PAS** un lève-personne électrique dans une salle de bains ou une salle d'eau.

10. Périodicité d'entretien

Tous les produits Oxford sont conçus de manière à ne nécessiter qu'un entretien minimal; toutefois, certaines vérifications et procédures de sécurité sont nécessaires. Un tableau des tâches QUOTIDIENNES est présenté ci-après. Des vérifications quotidiennes et un entretien, une inspection et un essai semestriels garantissent que le lève-personne fonctionnera parfaitement. Une liste de pièces détachées est disponible sur demande.

L'ESSAI DE CHARGE et la certification doivent être effectués par du personnel qualifié ou un agent / concessionnaire d'entretien autorisé.

LISTE DES VÉRIFICATIONS QUOTIDIENNES: Joerns Healthcare vous conseille vivement d'effectuer les vérifications suivantes chaque jour et avant d'utiliser le lève-personne.

- ASSUREZ-VOUS que le lève-personne se déplace facilement sur ses roulettes.
- VÉRIFIEZ que la barre d'écartement (cornes de vache) est bien fixée sur la flèche.
- RECHERCHEZ les signes d'usure sur les crochets de la courroie et sur les dispositifs de suspension latéraux de la barre d'écartement et de la flèche.
- ASSUREZ-VOUS que les pieds s'ouvrent et se referment correctement.
- ACTIONNEZ la commande manuelle ou l'unité hydraulique pour confirmer que la flèche se soulève et s'abaisse normalement.
- Les appareils électriques ACTIVÉS permettent de vérifier le fonctionnement du bouton d'arrêt d'urgence.
- INSPECTEZ les courroies afin de déceler tout éventuel signe d'effilochage ou d'usure. N'UTILISEZ PAS de courroie endommagée.
- ASSUREZ-VOUS que l'alarme de batterie faible ne se déclenche pas lorsque la commande manuelle est actionnée. Si l'alarme retentit * N'UTILISEZ PAS l'appareil et mettez-le sous charge immédiatement.

Entretien, Inspection Et Essais

Joerns Healthcare recommande d'effectuer régulièrement une inspection et des essais poussés du lève-personne Oxford Ascend et des accessoires, courroies, etc. La fréquence des inspections varie selon l'endroit. Veuillez vous renseigner auprès de votre revendeur et / ou d'un organisme gouvernemental local sur la périodicité requise des inspections. Les examens et les essais doivent être effectués suivant les recommandations et les procédures énoncées dans le présent manuel. Dans la mesure du possible, Joerns Healthcare recommande que l'entretien, les inspections et les essais certifiés soient effectués uniquement par un agent d'entretien ou un revendeur agréé.

REMARQUE: Ces recommandations sont conformes aux normes d'Hygiène et de Sécurité N° 2307 de 1998. Réglementations sur les opérations et l'équipement de levage 1998. Il s'agit d'une réglementation du Royaume-Uni. En dehors du Royaume-Uni, veuillez vous renseigner sur les règlements de votre pays.

***CES VÉRIFICATIONS DOIVENT PORTER SUR:**

	Initialement	Avant utilisation	Intervalles d'entretien
1. FLÈCHE : Vérifiez que la flèche est fixée sur le mât. Assurez-vous que le mouvement latéral de la flèche est minimal et qu'elle tourne librement sur son roulement.	✓	✓	✓
2. POINTS DE FIXATION DE LA COURROIE : Examinez les crochets et les clips de fixation sur la barre d'écartement et la flèche afin de détecter toute usure excessive.	✓	✓	✓
3. MÂT : Vérifiez le fonctionnement du dispositif de verrouillage du mât. Assurez-vous que le mât s'engage entièrement dans la douille.	✓	✓	✓
4. ACTIONNEUR : Hormis la vérification du bon fonctionnement et la recherche de bruits inhabituels, l'actionneur ne nécessite en principe aucun entretien.			✓
5. PROTÈGE-GENOU : Vérifiez que le dispositif de réglage du protège-genou est bien attaché.	✓	✓	
6. MONITEUR SMART : Vérifiez le bon fonctionnement du bouton d'arrêt d'urgence. Vérifiez le branchement de la prise de la commande manuelle. Vérifiez le fonctionnement de la commande manuelle. Vérifiez que les commandes de secours fonctionnent correctement. ATTENTION : La charge MINIMALE requise pour abaisser manuellement le lève-personne à l'aide de la fonction d'abaissement mécanique d'urgence est de 30 kg.	✓	✓	✓
7. BATTERIES : Les batteries sont logées dans le bloc d'alimentation et, à l'exception de recharges régulières effectuées conformément aux instructions de charge, elles ne nécessitent en principe aucun entretien. Vérifiez la propreté des connexions.			✓
8. BATTERIES (Recharge) : Vérifiez que le lève-personne n'émet pas d'alarme de batterie faible pendant que la commande manuelle est actionnée. Si l'alarme retentit, n'utilisez pas le lève-personne et placez immédiatement la batterie sur le chargeur.	✓	✓	
9. RÉGLAGE DES PIEDS : Vérifiez que les pieds s'orientent complètement dans les deux directions (vers l'intérieur / l'extérieur).	✓	✓	✓
10. ROULETTES : Vérifiez que toutes les roulettes sont solidement fixées sur les pieds. Vérifiez que les roulettes et les roues tournent librement.	✓	✓	✓
11. NETTOYAGE : Nettoyez au savon ordinaire et à l'eau et /ou avec un désinfectant pour surfaces dures. Les produits de nettoyage chimiques corrosifs ou les abrasifs doivent être évités, car ils peuvent endommager le fini du lève-personne. Évitez de mouiller les pièces électriques.		✓	✓
12. ESSAI DE CHARGE : L'essai de charge doit être effectué conformément aux procédures d'essai préconisées par le fabricant. Nous vous conseillons vivement de faire tester l'appareil par un spécialiste agréé.			✓
13. BASE ET ROUES : Assurez-vous que la base est régulière et nivelée (les quatre roues reposent sur le sol).	✓	✓	✓
14. COURROIES : Vérifiez qu'elles ne sont pas usées, ni effilochées.	✓	✓	✓
15. LUBRIFICATION : Huilez les joints pivotants, y compris les pièces reliant le mât et la flèche, l'ensemble de la pédale, la barre d'écartement et le joint (si nécessaire).			✓
16. Combiné : Vérifiez qu'il est totalement branché dans le contrôleur.	✓	✓	

11. Spécifications Techniques

Charge maximale d'utilisation	375 lbs	170 kgs
Longueur maximale hors tout.....	43,3 pouces	1100 mm
Longueur minimale hors tout.....	40,8 pouces	1035 mm
Hauteur maximale hors tout.....	66,5 pouces	1690 mm
Hauteur minimale hors tout.....	48,4 pouces	1230 mm
Hauteur maximale de la barre d'écartement.....	64,7 pouces	1644 mm
Hauteur minimale de la barre d'écartement.....	37 pouces	940 mm
Rayon de braquage.....	51,9 pouces	1320 mm
Pieds ouverts - Largeur externe.....	39,1 pouces	995 mm
Pieds ouverts - Largeur interne.....	34,8 pouces	885 mm
Pieds fermés - Largeur externe	24,8 pouces	630 mm
Pieds fermés - Largeur interne.....	20 pouces	510 mm
Le point le plus large (entre les poignées de soutien)	28,9 pouces	735 mm
Hauteur des pieds, hors tout.....	4,7 pouces	120 mm
Garde au sol.....	1,4 pouces	35 mm
Roulettes jumelées avant	4 pouces	100 mm
Roulettes arrière à freins.....	4 pouces	100 mm

Poids

Ensemble mât, base et flèche.....	97 lbs	44,0 kgs
Bloc d'alimentation	6,6 lbs	3,0 kgs
Total.....	103,6 lbs	47,0 kgs
Base (sans la batterie)	42,9 lbs	19,5 kgs
Mât et flèche (sans la batterie).....	45,1 lbs	20,5 kgs

REMARQUE: Toutes les dimensions sont indiquées avec une tolérance de fabrication.

Spécifications Electriques

BATTERIE batterie plomb rechargeable sans entretien de 24 volts
 CAPACITE DE LA BATTERIE 3,2 Ampères heures
 PUISSANCE ABSORBEE NORMALE DU CHARGEUR..... 100 - 240 V AC// 24 VDC 50/60 Hz
 PUISSANCE NOMINALE DU CHARGEUR.....29,5 VDC, Max. 19 W

Protection contre l'électrocution

CHARGEURCLASSE II
 LEVE-PERSONNESOURCE D'ALIMENTATION INTERNE

Degré de protection contre l'électrocution

CHARGEURTYPE B
 LEVE-PERSONNETYPE B

Conditions Environnementales

En dehors de cet environnement, le fonctionnement et la sûreté peuvent être compromis.

Fonctionnement :

Température5°C à 35°C
 Humidité relative.....20% à 90% @ 30°C - sans condensation
 Pression atmosphérique.....700 à 1060 hPa

Entreposage :

Température-10°C à +50°C
 Humidité relative.....20% à 90% @ 30°C - sans condensation
 Pression atmosphérique.....700 à 1060 hPa

CARACTERISTIQUES D'IP

Boîtier de commandeIPX4
 VérinIPX4
 Chargeur portableIPX5
 BatterieIPX5
 Commande ManuelleIPX5

CYCLES D'UTILISATION

Vérin10% (2 min./18 min.)
 ChargeurEnviron 4 hrs.

ACOUSTIQUE

Niveau de puissance acoustique pondéré A ..55,6 dB (A)

Symboles Cles

Les symboles suivants sont utilisés sur le chargeur, le boîtier de commande et la batterie :



Equipement de Type B selon EN 60601-1



Equipement de Classe 2



Le chargeur et le boîtier de commande ne doivent pas être jetés avec les déchets ménagers.



La batterie ne doit pas être jetée avec les déchets ménagers.



L'électronique ne doit pas être jetée avec les déchets ménagers.



Utilisation à l'intérieur



ATTENTION, veuillez consulter les documents joints.

12. Garantie

Joerns Healthcare possède un réseau d'agents de service et de distributeurs agréés qui se feront un plaisir de répondre à vos questions relatives à l'achat, la garantie, la réparation et l'entretien de votre matériel. Nous vous recommandons de confier la mise en service de nos produits à votre agent de service ou distributeur agréé.

Le programme de garantie est assuré par votre distributeur ou l'agent de service, il est donc important de conserver soigneusement ses coordonnées (nom, adresse et numéro de téléphone) afin de pouvoir le contacter en cas de problème. An cas de doute sur le lieu d'achat de votre lève-personne, Joerns Healthcare est en mesure d'identifier votre fournisseur à partir du numéro de série du lève-personne.

Toutes les réclamations au titre de la garantie sont conditionnées à l'usage et à l'entretien corrects et conformes au manuel d'utilisation livré avec chaque appareil. Tout endommagement résultant d'une utilisation dans des conditions inadaptées ou du non-respect des consignes d'entretien et d'utilisation n'est pas couvert par la garantie. La garantie ne porte pas atteinte à vos droits légaux.

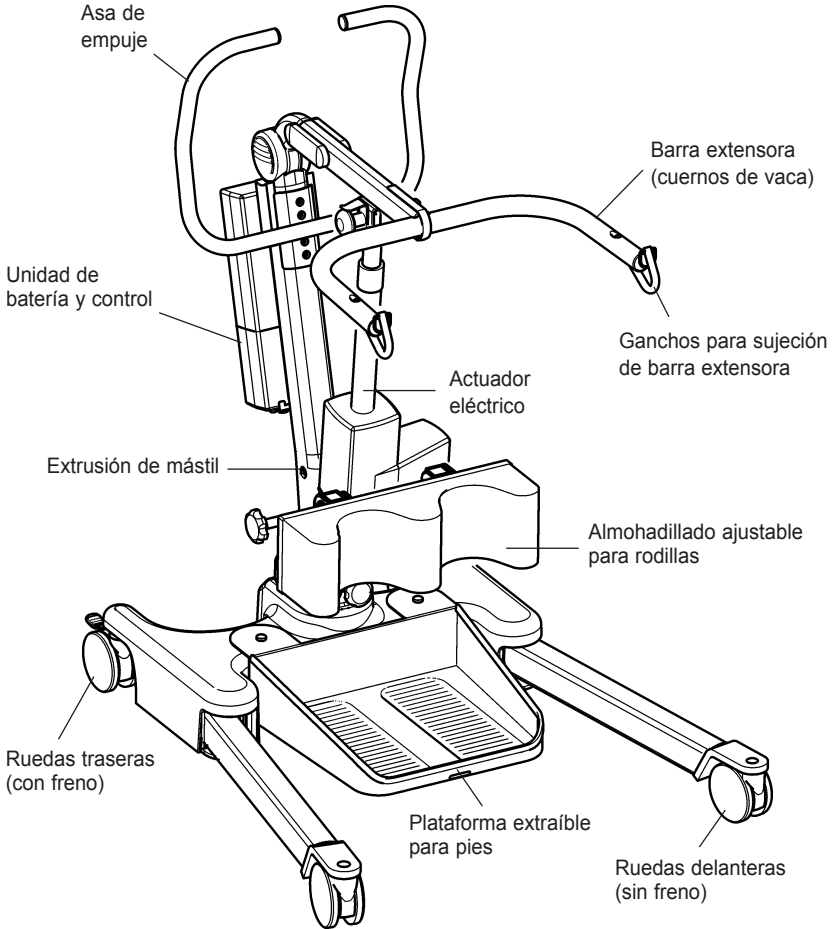
N'oubliez pas: Contactez votre agent de service ou distributeur agréé pour vos achats, réparations, entretiens et maintenances certifiées.

Votre distributeur:

Índice

1. El elevador de pacientes Oxford Ascend	55
2. Introducción: generalidades sobre el elevador	56
3. Instrucciones de montaje y encargo	57
4. Guía de eslingas	61
5. Elevación con un Oxford Ascend	62
6. Precauciones de seguridad	63
7. Monitor Smart y control de mano	65
8. Instrucciones de funcionamiento	69
9. Instrucciones para la carga	71
10. Plan de mantenimiento y lista de comprobación diaria	73
11. Especificaciones Técnicas	75
12. Garantía	78

1. El elevador de pacientes Oxford Ascend



2. Introducción: Generalidades sobre el elevador

El embalaje consta de una caja de cartón resistente, hecha a medida para asegurar que el equipo llegue intacto a su destino.

Junto con el elevador, se incluye en el embalaje una carpeta que contiene varios documentos, los cuales debe conservar en un lugar seguro para referencias futuras:

- CERTIFICADO DE VERIFICACIÓN
- MANUAL DEL USUARIO
- TARJETA DE GARANTÍA DEL PROVEEDOR (Europa solamente)
- TARJETA DE SATISFACCIÓN DEL CLIENTE (Europa solamente)
- LISTA DE COMPROBACIÓN DE EMBALAJE

El CERTIFICADO DE PRUEBA es un documento importante y será necesario para sus registros de seguro. Este certificado tiene una validez de seis meses, tras los cuales el elevador debe someterse a una inspección y servicio de conformidad con el plan de mantenimiento.

Su representante autorizado puede llevar a cabo tareas de mantenimiento y pruebas periódicas para aquellos países en donde ello es un requisito (Europa). Por favor, asegúrese de que el elevador está incluido en los planes de mantenimiento de su proveedor. Si no está completamente seguro de cuáles son los requisitos de mantenimiento de su mercado local, consulte con el distribuidor, con un organismo de gobierno local o con Joerns Healthcare.

La marca CE: El Oxford Ascend lleva incluida la marca de la CE y cumple con las siguientes directivas de la Unión Europea:



- Directiva de Dispositivos Médicos (93/42/EEC)
- Directiva sobre Compatibilidad Electromagnética (89/336/EEC)
- Directiva de Bajo Voltaje (73/23/EEC)

Declaración de uso al que está destinado

El uso previsto para este dispositivo es la elevación y transferencia seguras de un individuo de una superficie de descanso a otra (como de una cama a una silla de ruedas, por ejemplo). Joerns Healthcare recomienda que la transferencia de pacientes se lleve a cabo posteriormente a una evaluación de riesgos, y de manera segura, en una breve distancia solamente.

El modelo Oxford Ascend solo es adecuado para pacientes en posición SENTADA, con un grado de capacidad de tolerancia de peso, pero que requieren asistencia para pararse. Al extraer la bandeja inferior, el elevador de pacientes Oxford Ascend puede usarse también como apoyo para caminar, tras haber realizado una exhaustiva evaluación de riesgos.

El sistema Oxford Ascend es un dispositivo de apoyo diseñado para promover la manipulación y transferencia seguras del paciente, tanto para el individuo que está siendo transportado como para la persona a cargo.

El asistente para pararse Oxford Ascend está diseñado para ser utilizado con la amplia gama de arneses Oxford. A continuación citamos ejemplos de arneses adecuados para uso con este dispositivo:

- Oxford Arnés para estar de pie
- Oxford Arnés para transporte

Vida útil estipulada previa al mantenimiento:

Los elevadores profesionales Oxford están diseñados y evaluados para durar un período mínimo de diez (10) años previamente a efectuarse algún tipo de mantenimiento, dependiendo del uso y cumplimiento con las tareas de mantenimiento establecidas en este manual. El uso diferente al establecido en estas instrucciones, podría comprometer la vida útil del producto.

3. Instrucciones de montaje y encargo

Coloque la caja en una zona de trabajo despejada y ábrala con cuidado. La caja contiene:

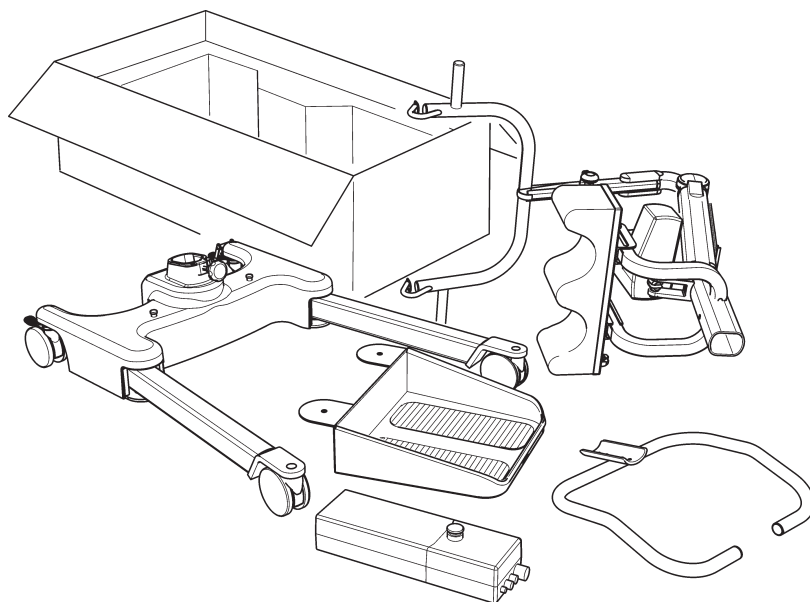
- ELEVADOR OXFORD ASCEND
- BOLSA CONTENIENDO DOCUMENTOS
- CONTROL DE MANO
- UNIDAD DE BATERÍA
- DIODO DE CARGA
- CARGADOR/SOPORTE DE SOBREMESA

⚠ ADVERTENCIA

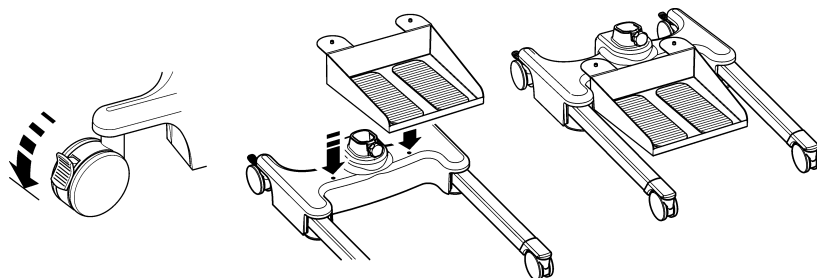
El Oxford Ascend es pesado y habrá que tener cuidado al levantarlo. Puede que necesite ayuda para sacar el Oxford Ascend de la caja.

Montaje

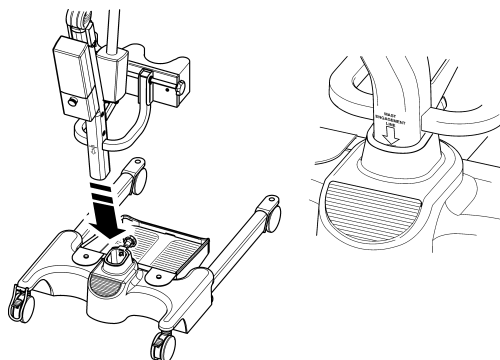
Retire todas las piezas de la caja y colóquelas en el suelo, con cuidado de evitar que el equipo sufra daños en su superficie.



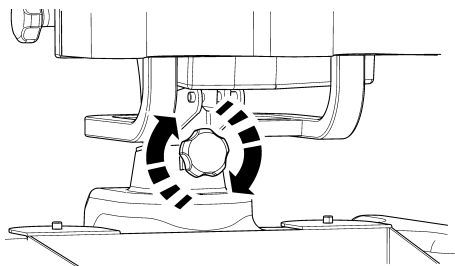
1. Coloque el chasis en un espacio despejado y aplique los frenos traseros. Adherir la bandeja para pies a la base utilizando los agujeros de posición que se encuentran en la base.



2. Coloque el conjunto de mástil y pluma en el alojamiento del chasis.



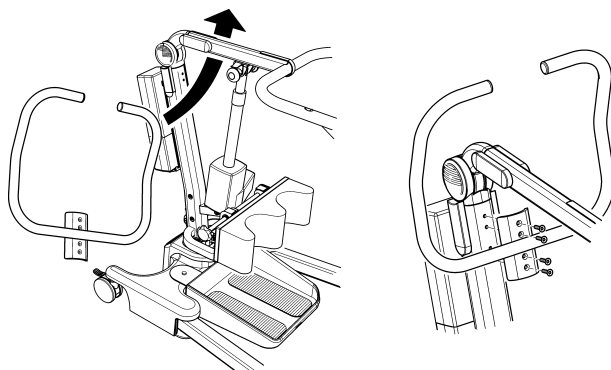
3. Apriete el conjunto de mástil con el dispositivo de bloqueo del mástil, que está situado en la parte delantera del chasis.



⚠ ADVERTENCIA

Evite que queden atrapados sus dedos. Mantenga los dedos alejados del extremo del mástil al insertarlo en el alojamiento del chasis. La etiqueta en el lateral del mástil indica el acoplamiento completo del mástil. El funcionamiento de la pata eléctrica no se producirá a no ser que el mástil esté completamente acoplado.

4. Gire el botón de bloqueo y apriételo con la mano
5. Alinear el ensamblaje de la empuñadura con mástil y adherirlo utilizando las piezas de fijación proveídas. Las piezas de fijación y la llave de tuercas necesarias para adherir la empuñadura se encuentran, por razones de seguridad, en la carpeta de instrucciones.



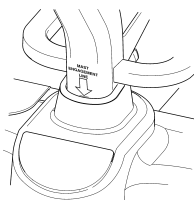
6. Ponga el paquete de alimentación eléctrica en la grúa y cierre el pestillo que asegura el paquete para que éste no se mueva. Hará un sonido de “clic” cuando esté cerrado.

Desmontaje

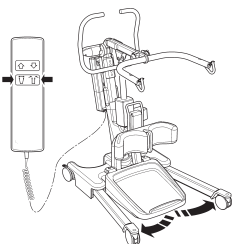
El elevador no debe desmontarse excepto para su mantenimiento, reparación y transporte si fuera necesario. Para ello, siga las instrucciones de montaje en orden inverso.

VERIFIQUE SIEMPRE LO SIGUIENTE ANTES DEL FUNCIONAMIENTO

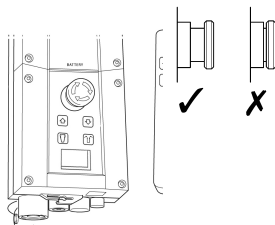
- El mástil está completamente bloqueado en su posición.



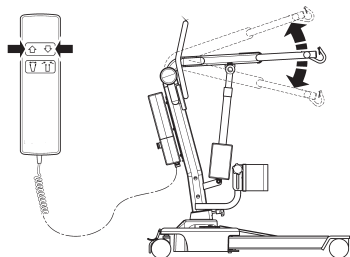
- Las patas del elevador se abren y cierran satisfactoriamente. (Esto se realiza mediante el control de mano).



- El botón rojo de emergencia, situado en la parte posterior del cuadro de control, está en posición OFF (apagado).



- Pulse los botones hacia arriba y hacia abajo del control de mano y confirme que el larguero sube y baja.



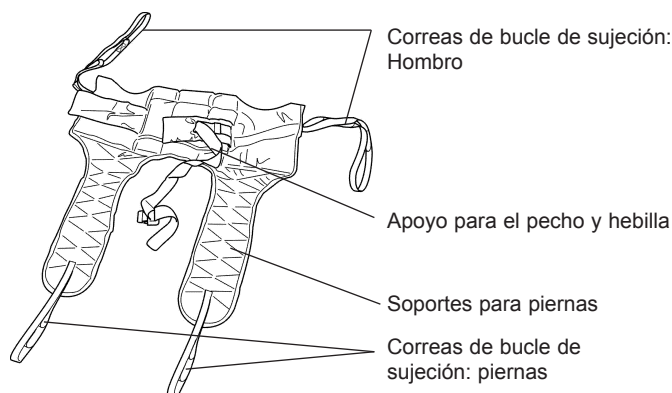
4. Guía de eslingas

El Oxford Ascend es adecuado para pacientes en las siguientes posiciones: SENTADO. Las eslingas adecuadas para este dispositivo son las siguientes

- Oxford Transport
- Oxford Standing

Guía del usuario para las eslingas Standaid La eslinga Transport y Standing es una eslinga que se acopla fácilmente, adecuada para estar de pie y para apoyo. No es una eslinga de uso general y una persona cualificada deberá evaluar si su utilización es adecuada para un paciente dado.

Eslinga Transport



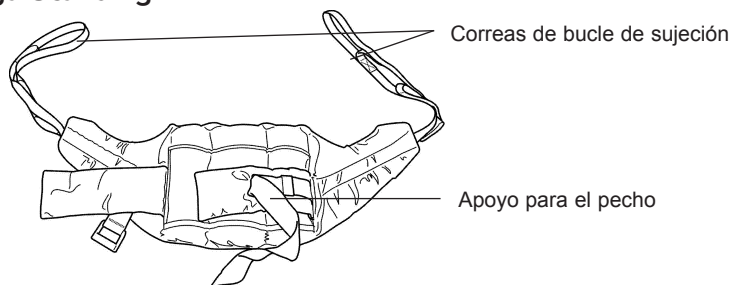
Pase la eslinga por debajo de la espalda del paciente dejando la parte superior de la apertura para el inodoro en la base de la espina dorsal. Compruebe que la parte enrollable de la eslinga quede cuadrada sobre la espalda del paciente.

Sujete la correa de apoyo alrededor del pecho del paciente. Esta correa no tiene que quedar apretada. Su función consiste en sujetar la eslinga en su posición mientras se atan los bucles al Standaid. Puede dejarse sin abrochar si se prefiere. Asegúrese de que los brazos del paciente queden en la parte exterior de la eslinga.

Levante la pierna del paciente y pase la correa para la pierna por debajo y hacia arriba entre las piernas. Asegúrese de que la eslinga no quede torcida o arrugada bajo el muslo. Repita este procedimiento para la otra pierna. Sujete los bucles de las partes enrolladas de la eslinga a los ganchos blancos en el extremo de las empuñaduras para la mano.

Sin cruzar los bucles sobre las correas para la pierna, sujete los botones izquierdo y derecho sobre la horquilla de elevación. Normalmente se utiliza la parte intermedia de los tres bucles. El paciente está ahora preparado para ser levantado desde la silla. Una vez fuera de la silla, el paciente estará más cómodo si se le baja a la posición de sentado.

Eslinga Standing



Coloque la eslinga por debajo de la espalda del paciente entre la base de las escápulas del hombro y la parte inferior de las costillas. Sujete las correas de apoyo alrededor de la parte delantera del paciente. Esta correa no tiene que quedar apretada. Su función consiste en sujetar la eslinga en su posición mientras se sujeta la eslinga al Standaid. Puede dejarse sin abrochar si se prefiere. Asegúrese de que los brazos del paciente queden en la parte exterior de la eslinga.

NOTA: Para obtener instrucciones de colocación más detalladas, consulte la guía del usuario proporcionada con cada eslinga.

⚠ ADVERTENCIA

Joerns Healthcare recomienda comprobar las eslingas regularmente y, en especial, antes del uso por si están deshilachadas o dañadas. NO utilice eslingas que estén desgastadas o dañadas.

⚠ ADVERTENCIA

OXFORD RECOMIENDA UTILIZAR PRODUCTOS AUTÉNTICOS OXFORD. Los sistemas Oxford de eslingas y elevación tienen un diseño que los hace compatibles entre sí. Para obtener información y consejos específicos acerca del uso y compatibilidad de las eslingas, consulte la etiqueta de la eslinga, o bien comuníquese con su distribuidor local de mercado o con Joerns Healthcare.

⚠ ADVERTENCIA

Consulte la capacidad de peso máximo del elevador. La capacidad de la eslinga está limitada por la capacidad máxima del elevador.

5. Elevación con un Oxford Ascend

Coloque el Standaid de manera que los pies del paciente se acomoden en la bandeja para pies y las rodillas descansen contra el almohadillado para rodillas. Inicialmente, sujete los bucles más largos de la eslinga a los ganchos grises en el extremo de las empuñaduras para la mano del Standaid. Las manos del paciente deben colocarse en las empuñaduras. (Una vez que el paciente está acostumbrado al elevador, se pueden utilizar bucles más cortos para conseguir una posición más erguida). Después, pulse el botón UP en el control de mano para levantar al paciente a la posición de pie.

6. Precauciones de seguridad

Por favor, lea y siga las precauciones de seguridad que figuran más abajo. El funcionamiento y uso del elevador para pacientes Oxford es sencillo y fácil de comprender. Siguiendo estas precauciones básicas de seguridad, las operaciones de elevación serán fáciles y no causarán problemas.

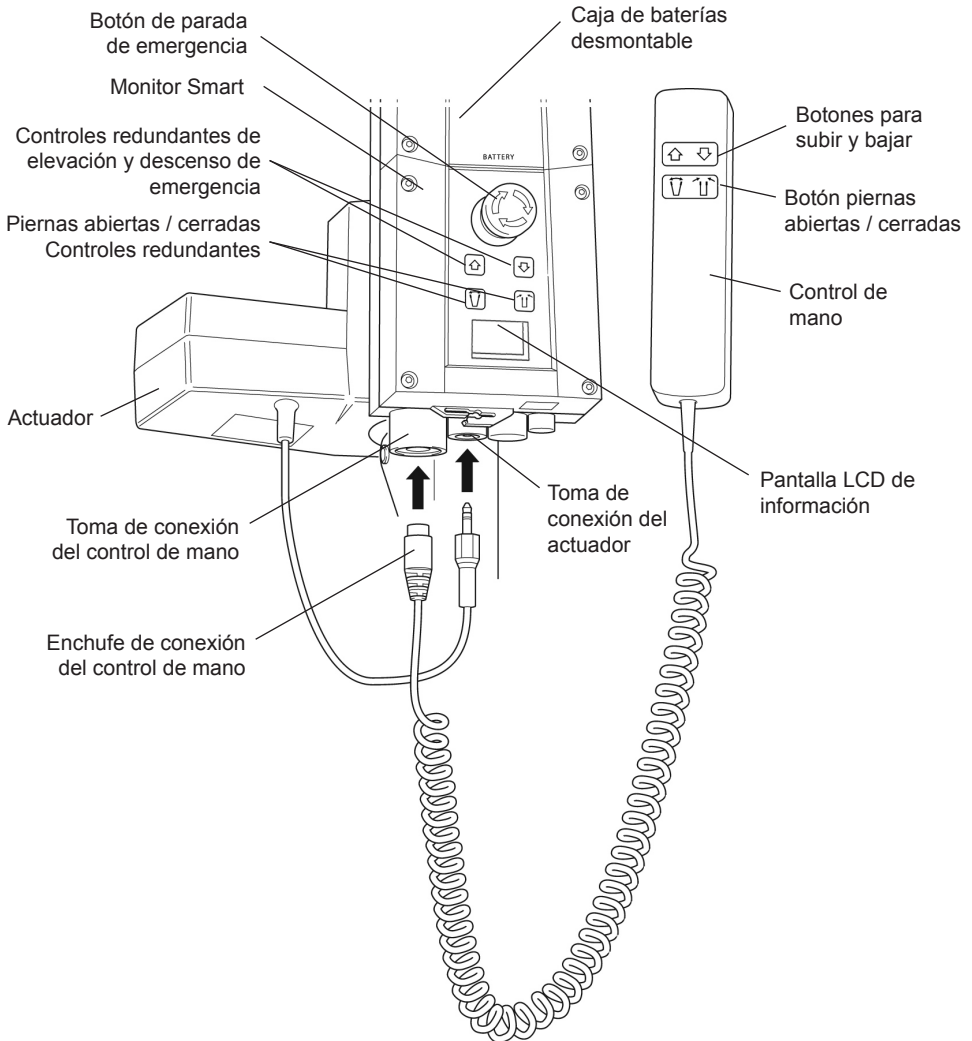
LEA Y COMPRENDA EL MANUAL DE INSTRUCCIONES DEL USUARIO ANTES DE UTILIZAR SU ELEVADOR “ASCEND”

ADVERTENCIA

- Planifique **SIEMPRE** sus operaciones de elevación antes de comenzar.
- Repase **SIEMPRE** la **LISTA DE COMPROBACIÓN DIARIA** antes de utilizar el elevador.
- Familiarícese **SIEMPRE** con el control de funcionamiento y características de seguridad del elevador antes de levantar al paciente.
- **NO** utilice una eslinga a no ser que esté recomendada para su uso con el elevador.
- Verifique **SIEMPRE** que la eslinga es adecuada para el paciente en particular y que su tamaño y capacidad son correctos.
- **NUNCA** utilice una eslinga que esté deshilachada o dañada.
- Encaje **SIEMPRE** la eslinga de acuerdo con las instrucciones que se indican (instrucciones del usuario)
- **NO** supere la carga de trabajo de seguridad.
- Compruebe **SIEMPRE** que la carga de trabajo de seguridad del elevador es adecuada para el peso del paciente.
- Lleve **SIEMPRE** a cabo las operaciones de elevación de acuerdo con las instrucciones en el manual del usuario.
- **NUNCA** desconecte o deje de realizar un control de seguridad o característica de seguridad porque parezca más fácil para el funcionamiento del elevador.
- **NO** levante a un paciente con los frenos de las ruedas activados. Deje siempre que el elevador encuentre el centro correcto de gravedad.
- **NO** intente maniobrar el elevador empujando el mástil, el larguero o al paciente.
- Maniobre **SIEMPRE** el elevador con el mango / almohadillado de empuje para pies proporcionado.

- Haga **SIEMPRE** descender al paciente a la posición cómoda más baja posible antes de transferirlo.
- **NO** empuje un elevador cargado a velocidades que superen un ritmo de caminar lento (3 kilómetros/hora, 0,8 metros/segundo).
- **NO** empuje el elevador sobre terrenos desnivelados o con baches. Especialmente, si está cargado.
- **NO** intente empujar o tirar de un elevador cargado sobre una obstrucción en el suelo.
- **NUNCA** fuerce los controles de funcionamiento/seguridad. Todos los controles son fáciles de utilizar y no requieren el uso de fuerza excesiva.
- La carga **MÍNIMA** necesaria para bajar el elevador de manera manual utilizando la función mecánica de descenso de emergencia equivale a 30 kg.
- **NO** aparque un elevador cargado sobre **NINGUNA** superficie en cuesta.
- **NO** utilice elevadores eléctricos en una ducha.
- **NO** cargue un elevador eléctrico en un baño o en una ducha.
- **NO** levante a un paciente a no ser que esté entrenado y sea competente para hacerlo.
- **SU** elevador está destinado a levantar pacientes. **NO** lo utilice, ni permita que se utilice, para cualquier otro fin.
- **NO** lleve el elevador dando tumbos hacia abajo en escaleras, tanto si está cargado como si está descargado.
- **NO** intente pasar con un elevador cargado por una pendiente que supere 1:12 (aproximadamente 5 grados).
- **NO** intente pasar con el elevador por una pendiente sin que haya alguien para ayudarlo.
- **NO** lo utilice en un ambiente húmedo o corrosivo, como por ejemplo al lado de una piscina.

7. Monitor Smart y control de mano



Uso destinado

El monitor inteligente, Oxford Smart Monitor, es un sistema de control para los elevadores Oxford Mobile. El monitor inteligente almacena información útil sobre el mantenimiento del elevador disponible para consultar cuando sea necesario. Esta información sobre el mantenimiento incluye:

- Cantidad de ciclos de elevaciones de pacientes
- Total de trabajo ejecutado por el actuador
- Cantidad de sobrecargas de elevación (intentos de elevación por encima de la carga de trabajo máxima permitida)
- Cantidad de días desde el último intervalo de mantenimiento

El monitor Smart Oxford incorpora un microprocesador que permite leer los datos de mantenimiento a través de la pantalla LCD integrada.

Características

- Recopilación de datos en el panel de control con datos visualizados en la pantalla LCD
- Contador de trabajo
- Contador de ciclos inteligente
- Indicador de tareas de mantenimiento
- Indicador de frecuencia de mantenimiento
- Información de sobrecarga
- Indicador de nivel de carga de las baterías de tres pasos


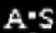
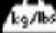

Beneficios

- Mayor seguridad tanto para el paciente como para el proveedor de cuidados
- Datos de mantenimiento precisos con solo tocar un botón
- Vida útil del producto optimizada
- Facilidad para realizar tareas de mantenimiento tanto para ingenieros como para los técnicos

Pantalla LCD

El monitor Smart Oxford incorpora un microprocesador que permite emitir la lectura de los datos de mantenimiento a través de la pantalla LCD integrada. Es posible emitir la lectura de los totales de los ciclos de elevación, los totales de trabajos realizados, de sobrecargas y la cantidad de días desde el último mantenimiento, datos que pueden utilizarse para evaluar el estado de el actuador de elevación de manera fácil y rápida.

Puede acceder a esta información pulsando durante medio segundo el botón "UP" (ARRIBA) del control de mano del usuario o el botón redundante "UP" (ARRIBA) del Monitor inteligente.

	12034	Total de ciclos de elevación
	1257000	Total de trabajo ejecutado (Amps * Segundos)
	7	Cantidad de sobrecargas
	90/180	Cantidad de días (desde el último mantenimiento) / Cantidad de días (entre mantenimientos)

Información sobre mantenimiento y uso



Cuando es momento de realizar el mantenimiento, aparecerá en la pantalla el símbolo correspondiente al mantenimiento. Además, cuando está activado el control de mano del usuario, el monitor inteligente emitirá una señal sonora para avisar al usuario que se necesita una operación de mantenimiento.

El símbolo de mantenimiento aparecerá cada vez que pulse las teclas hacia arriba o abajo en el control de mano del usuario. Cuando aparezca el símbolo de mantenimiento, póngase en contacto de inmediato con su agente de servicio autorizado para organizar el mantenimiento.

Puede seguir utilizando el elevador durante un breve periodo de tiempo hasta que llevado a cabo el mantenimiento necesario.

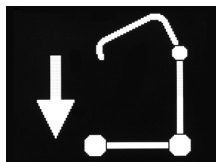


Si el elevador se detiene debido a una sobrecarga (si intenta levantar más peso de la carga máxima segura) aparecerá el símbolo de sobrecarga en la pantalla LCD y el elevador dejará de funcionar hasta que haya eliminado la carga adicional (por encima de la carga máxima segura).

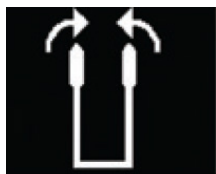
ADVERTENCIA

Si la pantalla LCD del monitor inteligente hubiese registrado una sobrecarga, Joerns Healthcare recomienda que TODAS las tareas diarias de control se lleven a cabo en el elevador antes de su utilización (para obtener una lista de controles diarios, consulte el manual de usuario del elevador). Joerns Healthcare también recomienda que se ponga en contacto con su agente autorizado de servicios Oxford para obtener más orientación.

Controles redundantes integrados



Los controles redundantes integrados permiten que el elevador suba o baje en caso de emergencia.



Si su sistema de elevación incorpora tecnología de posicionamiento de piernas eléctrico, hay controles redundantes tanto para abrir como para cerrar las piernas.

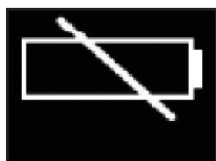
Información sobre la batería



Si aparece el icono de la batería completa, significa que la batería está completamente cargada y lista para usar.



Si aparece el icono de la batería a la mitad, significa que necesita cargar la batería.



Si aparece el icono de la batería vacía, significa que la batería carece de capacidad y debe cargarla de inmediato.

⚠ ADVERTENCIA

A fin de evitar posibles daños permanentes en la batería, debe colocar la batería a cargar en cuanto la pantalla indique el símbolo de la batería a la mitad.

8. Instrucciones de Funcionamiento

1. Ajuste de las patas

Las patas del Oxford Ascend son ajustables eléctricamente en cuanto a su anchura. Las patas pueden abrirse para permitir el acceso alrededor de sillas o de sillas de ruedas. Para transferir y para pasar por pasillos estrechos, las patas del elevador deben estar en posición cerrada.

Ajuste eléctrico de las patas - se consigue pulsando los botones apropiados en el control de mano. Las patas se bloquearán cuando se suelte el conmutador del control de mano.

2. Ruedas y frenos

El elevador tiene dos ruedas con frenos, que se pueden aplicar para dejarlo aparcado. Cuando se realice la elevación, las ruedas deben dejarse libres y los frenos sin aplicar. De esta forma, el elevador podrá mover el centro de gravedad conforme se realiza la elevación. Si se aplican los frenos, será el paciente el que se mueva hacia el centro de gravedad y esto puede ser desconcertante e incómodo.

3. Elevación y descenso del larguero

El movimiento del larguero se consigue mediante un potente actuador eléctrico, que está controlado por un sencillo control de mano. El control de mano tiene dos botones, con flechas direccionales ARRIBA y ABAJO. El actuador se detiene automáticamente en el límite del desplazamiento en ambas direcciones. El control de mano se enchufa en un enchufe en la base del cuadro de control.

4. Parara de emergencia

El botón de parada de emergencia rojo está situado en la parte delantera del cuadro de control y se activa pulsándolo. Al pulsarlo se interrumpe la alimentación eléctrica al elevador y sólo se puede desarmar girando el botón en sentido contrario a las agujas del reloj y soltándolo.

5. Controles redundantes

Todos los elevadores Oxford están equipados con botones de elevación y descenso en el panel de control. Estos están ubicados debajo del botón de parada de emergencia y se pueden utilizar para bajar o subir al paciente si se produjese un fallo en el control de mano.

6. Descenso mecánico de emergencia

En el caso de fallo total del suministro eléctrico, el actuador eléctrico dispone de un dispositivo de descenso mecánico (CUBO ROJO). Esta característica sólo funcionará cuando el elevador tenga carga. Hay que tirar del dispositivo hacia arriba para activarlo y comenzará un lento descenso.

Nota: La carga MÍNIMA necesaria para bajar el elevador de manera manual utilizando la función mecánica de descenso de emergencia equivale a 30 kg.

7. Baterías

Las baterías están protegidas ante descargas fuertes por una ALARMA DE VOLTAJE BAJO. Esta alarma emitirá un sonido cuando las baterías necesiten recargarse y se esté manejando el control de mano. No sonará si el control de mano no se está manejando. **NO IGNORE ESTA ALARMA DE ADVERTENCIA.** Complete la operación de elevación y ponga la batería a cargar (vea las instrucciones de carga). El nivel de carga de la batería se visualiza en el indicador en el cuadro de control.

PRECAUCION

La batería, el cargador, el control de mano, el cuadro de control y el actuador sólo deben ser abiertos por personal autorizado. (Comuníquese con su distribuidor para obtener información sobre garantía y reparaciones).

8. Eslingas

El Oxford Ascend es adecuado para pacientes en las siguientes posiciones: SENTADO. Las eslingas adecuadas para este dispositivo son las siguientes

- Oxford Transport
- Oxford Standing

9. Ajuste del almohadillado para las rodillas

El Ascend tiene un almohadillado ajustable para las rodillas. El rango de desplazamiento es de 6 pulgadas (14,7 centímetros). El ajuste se consigue aflojando el botón situado en el lateral izquierdo del almohadillado, para aflojar el conjunto lo suficiente como para mover el almohadillado para las rodillas a la posición superior o inferior.

10. Plataforma desmontable para los pies

El Ascend tiene una plataforma para los pies. Para extraer la plataforma para los pies, póngase en la parte delantera del equipo y levante la plataforma para los pies desde la parte central del conjunto. **NOTA** Tenga cuidado al levantar la plataforma para los pies desde la posición de sentado baja.

9. Instrucciones para la carga

Las baterías están situadas en la unidad de alimentación y se cargan por medio de un cargador de sobremesa.

Cuando haya que cargar la unidad de alimentación, habrá que extraerla del elevador y colocarla en el cargador de sobremesa.

Joerns Healthcare Ltd recomienda comprar una unidad adicional de batería, para tener una de las dos unidades cargada en todo momento.

1. Extraiga la unidad de alimentación del elevador. La unidad de está sujeta con un pestillo simple en la parte superior de la unidad de alimentación. Levante el pestillo y la unidad de alimentación quedará suelta.
2. Coloque la unidad de alimentación en el cargador. La colocación y sujeción de la unidad de alimentación al cargador se realiza por el mismo sistema que el empleado en el elevador.
3. Enchufe el cable del cargador a una fuente de alimentación eléctrica y ponga el conmutador en ON.
4. La carga es automática y las baterías quedarán completamente cargadas en un plazo de ocho a doce horas. **Nota:** Incluso si el cargador se deja enchufado durante mucho tiempo, no permitirá que las baterías se carguen en exceso.
 - a) La luz verde indica el paso de corriente eléctrica.
 - b) La luz amarilla indica que la batería se está cargando.
 - c) Cuando la luz amarilla se apaga, la batería se habrá cargado por completo.

Nota: La carga puede tomar hasta cuatro horas en completarse.

Recomendamos cargar la batería en cuanto la reciba.

5. Para volver a poner en funcionamiento el elevador, desconecte de la red poniendo el conmutador en OFF y retire la unidad de alimentación del cargador. Coloque la unidad de alimentación de nuevo en el elevador y asegúrese de que el pestillo que la sujeta está completamente cerrado. Cuando esté correctamente colocada, oír un "clic". La carga del elevador eléctrico Hoyer es sencilla y no tienen por qué surgir complicaciones, pero es importante seguir rigurosamente las instrucciones de carga. Preste especial atención a los siguientes aspectos; le ayudará a evitar los problemas que supone la descarga de las baterías.

ADVERTENCIA

- La batería, el cargador, el control de mano y la caja de control **NO** deben ser abiertos por personal no autorizado. (Comuníquese con el distribuidor por reparaciones y reclamos de la garantía).
- **NO** toque las terminales de la batería ni el cargador.
- **MANTENGA** las baterías completamente cargadas. Ponga la batería a cargar siempre que no esté utilizando el dispositivo. Si le resultase más práctico, póngala a cargar durante la noche. El cargador no permitirá que las baterías se sobrecarguen.
- **NUNCA** permita que las baterías se gasten por completo. No bien suene la alarma de advertencia, complete la operación de elevación y ponga a cargar la batería.
- **A fin de evitar posibles daños permanentes en la batería, debe colocar la batería a cargar en cuanto la pantalla indique el símbolo de la batería a la mitad.**

- **NUNCA** almacene la batería durante largos períodos de tiempo sin realizar cargas periódicas durante el periodo de desuso.
- **SIEMPRE** compruebe que la toma del cargador a la red de suministro eléctrico esté apagada antes de conectar o desconectar la batería.
- **NUNCA** deje la batería conectada con la toma del cargador a la red de suministro eléctrico apagada.
- **NO** deje el cargador encendido con la batería desconectada.
- **NO** use el elevador mientras carga la batería.
- **COMPRUEBE** que el elevador no se esté cargando antes de desplazarlo, ya que podría dañar la conexión eléctrica.
- **NUNCA** desconecte la toma del cargador tirando del cable.
- **PROCURE** no tropezar con el cable del cargador.
- **NO** cargue el elevador eléctrico en el cuarto de baño.

10. Plan de mantenimiento y lista de comprobación diaria

Todos los productos Oxford requieren un mantenimiento mínimo; sin embargo, es necesario llevar a cabo algunas comprobaciones y procedimientos de seguridad. A continuación se indica un plan de tareas DIARIAS. Realizar comprobaciones diarias y mantenimiento, inspección y prueba cada seis meses asegurará que el elevador se mantiene en condiciones óptimas de funcionamiento. Si lo pide, le enviaremos una lista de piezas de repuesto.

La PRUEBA DE CARGA y la certificación sólo deben llevarse a cabo por personal cualificado o por un agente / concesionario de servicio autorizado.

LISTA DE COMPROBACIÓN DIARIA: Joerns Healthcare recomienda encarecidamente realizar las siguientes comprobaciones de manera diaria y antes de utilizar el elevador.

- ASEGÚRESE de que el elevador se mueve libremente sobre sus ruedas.
- EXAMINE la barra de extensión (cuernos de vaca) para comprobar que está firmemente sujeta al larguero.
- EXAMINE los ganchos de la eslinga y los clips de sujeción en la barra de extensión y en el larguero para ver si tienen un desgaste excesivo.
- ASEGÚRESE de que las patas se abren y cierran correctamente.
- OPERE el control de mano para confirmar que el larguero sube y baja satisfactoriamente.
- EN elevadores movidos por energía eléctrica, verifique el funcionamiento del botón de parada de emergencia.
- EXAMINE las eslingas para ver si están deshilachadas o tienen otros daños. NO utilice una eslinga si está dañada.
- CONFIRME que el elevador no está emitiendo una alarma de batería baja cuando se maneja el control de mano. Si la alarma suena, NO utilice el elevador y póngalo a cargar inmediatamente.

Mantenimiento, Inspección Y Prueba

Joerns Healthcare recomienda realizar inspecciones y comprobaciones completas y periódicas del elevador Oxford Ascend, los accesorios de elevación, las eslingas, balanzas, etc. La frecuencia de la verificación varía de acuerdo con la localidad; compruebe con su distribuidor local o entidad gubernamental, según corresponda, en lo referente a la frecuencia de verificación estipulada. Todas las verificaciones y pruebas deben llevarse a cabo según las recomendaciones y procedimientos explicados en el presente manual. Joerns Healthcare recomienda que el mantenimiento, inspección y comprobación certificada los lleve a cabo un agente o proveedor de mantenimiento autorizado.

Nota: Estas recomendaciones se dan en cumplimiento de los requisitos de Salud y Seguridad N° 2307 de 1998: Normas relativas a Operaciones de Elevación y Equipo de Elevación de 1998. Esta norma es del Reino Unido. Fuera del Reino Unido, revise los requisitos aplicables a su país.

***ESTAS COMPROBACIONES DEBEN INCLUIR:**

	Inicialmente	Antes del uso	Intervalos de servicio
1. BRAZO PRINCIPAL: Compruebe la sujeción del brazo principal al mástil. Asegúrese de que sólo exista un mínimo movimiento lateral del brazo principal y de que el brazo principal esté libre para girar en su rodamiento.	✓	✓	✓
2. PUNTOS DE SUJECIÓN DE ESLINGA: Compruebe que los ganchos y los broches de sujeción de la eslinga en la barra extensora y brazo principal no presenten signos de desgaste.	✓	✓	✓
3. MÁSTIL: Verifique el funcionamiento del dispositivo de bloqueo del mástil. Asegúrese de que el mástil encaja completamente en el alojamiento.	✓	✓	✓
4. ACTUADOR: El actuador no requiere más mantenimiento que comprobar que funciona correctamente y escuchar si hay ruidos inusuales.			✓
5. ALMOHADILLADO PARA RODILLAS: Compruebe que la correa del almohadillado para rodillas esté ajustada correctamente.	✓	✓	
6. MONITOR SMART: Compruebe el buen funcionamiento del botón de parada de emergencia. Compruebe que la toma del control de mano esté en perfecto estado. Verifique que el control de mano funciona correctamente. Verifique los controles redundantes y confirme que funcionan correctamente. Nota: La carga MÍNIMA necesaria para bajar el elevador de manera manual mecánica de descenso de emergencia equivale a 30 kg.	✓	✓	✓
7. BATERÍAS: Las baterías están alojadas en la unidad de alimentación eléctrica y no requieren ningún mantenimiento excepto su carga regular tal y como se detalla en las instrucciones de carga. Compruebe que las conexiones están limpias.			✓
8. BATERÍAS (Carga): Confirme que el elevador no emite una alarma de baja carga de baterías cuando hace funcionar el control de mano. Si suena la alarma, no utilice el elevador y ponga a cargar la batería inmediatamente.	✓	✓	
9. AJUSTE DE LAS PATAS: Compruebe que las patas funcionan en toda su extensión (hacia dentro / hacia fuera).	✓	✓	✓
10. RUEDAS: Compruebe que todas las ruedas están firmemente sujetas a las patas. Verifique la libre rotación de las ruedas y de sus pivotes.	✓	✓	✓
11. LIMPIEZA: Limpie con jabón corriente y agua, y/o con cualquier desinfectante para superficies duras. Deben evitarse limpiadores químicos o abrasivos, ya que pueden dañar el acabado de la superficie del elevador. No moje ninguna pieza eléctrica.		✓	✓
12. PRUEBA DE CARGA: La prueba de carga debe llevarse a cabo de conformidad con los procedimientos de prueba del mercado local. Se recomienda encarecidamente que la comprobación sea realizada por un concesionario de servicio autorizado.			✓
13. BASE Y RUEDAS: Asegúrese de que la base está uniforme y nivelada (las cuatro ruedas en contacto con el suelo).	✓	✓	✓
14. ESLINGAS: Vea si están desgastadas o deshilachadas.	✓	✓	✓
15. LUBRICACIÓN: Lubrique las bisagras de pivote con aceite de silicona, incluyendo las conexiones del brazo principal, las piezas de los pedales, la bisagra de la barra extensora (hágalo sólo si es necesario).			✓
16. Conjunto de mano: Asegúrese de que está bien enchufado al controlador.	✓	✓	

11. Especificaciones técnicas

Carga de trabajo segura	375 lbs	170 kgs
Longitud total máxima	43.3 pulgadas	1100 mm
Longitud total mínima	40.8 pulgadas	1035 mm
Altura total máxima.....	66.5 pulgadas	1690 mm
Altura total mínima	48.4 pulgadas	1230 mm
Altura máxima de la barra de extensión	64.7 pulgadas	1644 mm
Altura mínima de la barra de extensión	37 pulgadas	940 mm
Radio de giro	51.9 pulgadas	1320 mm
Patas abiertas - Anchura externa.....	39.1 pulgadas	995 mm
Patas abiertas - Anchura interna.....	34.8 pulgadas	885 mm
Patas cerradas - Anchura externa	24.8 pulgadas	630 mm
Patas cerradas - Anchura interna	20 pulgadas	510 mm
El punto más ancho (entre las manijas de la ayuda)	28.9 pulgadas	735 mm
Altura total de las patas.....	4.7 pulgadas	120 mm
Distancia al suelo	1.4 pulgadas	35 mm
Par de ruedas delanteras	4 pulgadas	100 mm
Ruedas traseras con freno.....	4 pulgadas	100 mm

Pesos

Mástil, base y conjunto de larguero	97 lbs	44.0 kgs
Unidad de alimentación.....	6.6 lbs	3.0 kgs
Total 103.6 lbs	47.0 kgs	
Conjunto de la base (sin incluir batería)	42.9 lbs	19.5 kgs
Mástil y larguero (sin incluir batería).....	45.1 lbs	20.5 kgs

NOTA: Para todas las dimensiones se aplican tolerancias de fabricación.

Especificaciones Eléctricas

BATERÍAS.....	Selladas y recargables de plomo-ácido de 24 voltios
CAPACIDAD DE BATERÍAS.....	3.2 Ah
ENTRADA MEDIDA DEL CARGADOR	100 - 240 V CA// 24 V CC 50/60 Hz Máx.
SALIDA MEDIDA DEL CARGADOR.....	29,5 V CC, Máx. 19 W

Protección contra descarga eléctrica

CARGADOR.....	CLASE II
GRUA	FUENTE DE ENERGÍA INTERNA

Grado de protección contra descarga eléctrica

CARGADOR.....	TIPO B
GRUA	TIPO B

Condiciones Ambientales

Al aire libre, la funcionalidad y seguridad especificadas pueden verse comprometidas.

Funcionamiento:

Temperatura	5 °C a 35 °C
Humedad relativa	20% a 90% a 30 °C - no condensada
Presión atmosférica.....	700 a 1060 hPa

Almacenamiento:

Temperatura	-10 °C a +50°C
Humedad relativa	20% a 90% a 30 °C - no condensada
Presión atmosférica.....	700 a 1060 hPa

CLASIFICACIONES IP

Caja de control	IPX4
Actuador	IPX4
Cargador externo	IPX5
Batería	IPX5
Control de mano	IPX5

CICLOS DE SERVICIO

Actuador	10% (2 min./18 min.)
Cargador	Aprox. 4 hs.

ACÚSTICA

Nivel de potencia de sonido (escala ponderación A)	55.6 dB(A)
--	------------

Explicación De Los Simolos

Los signos enunciados a continuación se utilizan en el cargador, la unidad de control y la batería:



Equipo de tipo B, según EN 60601-1



Equipo de clase 2



El cargador y la unidad de control no deben desecharse junto con los residuos domésticos



La batería no debe desecharse junto con los residuos domésticos



La electrónica no debe desecharse junto con los residuos domésticos



Para uso bajo techo solamente



ATENCIÓN, consulte los documentos adjuntos.

12. Garantía

Joerns Healthcare cuenta con una red establecida de distribuidores autorizados y agentes técnicos que estarán gustosos de responder a todas sus inquietudes respecto a la adquisición, garantía, reparación y mantenimiento de los productos. Se recomienda que un distribuidor autorizado o agente técnico encarguen nuestros productos.

El distribuidor o representante opera el Programa de la garantía; de manera que es importante conservar el nombre, dirección y teléfono para poder establecer contacto en caso de que surja algún problema. Si tiene dudas acerca del lugar de compra del elevador, Joerns Healthcare puede ubicar al proveedor si usted cita el número de serie del producto.

Todas las reclamaciones respecto de la garantía están sujetas a la correcta utilización y mantenimiento del producto, de acuerdo con el manual de instrucciones suministrado con cada elevador. La garantía pierde validez ante cualquier daño causado por el uso en condiciones ambientales inadecuadas o por falta de mantenimiento del producto según las instrucciones de mantenimiento para el usuario. Sus derechos legales no se verán afectados.

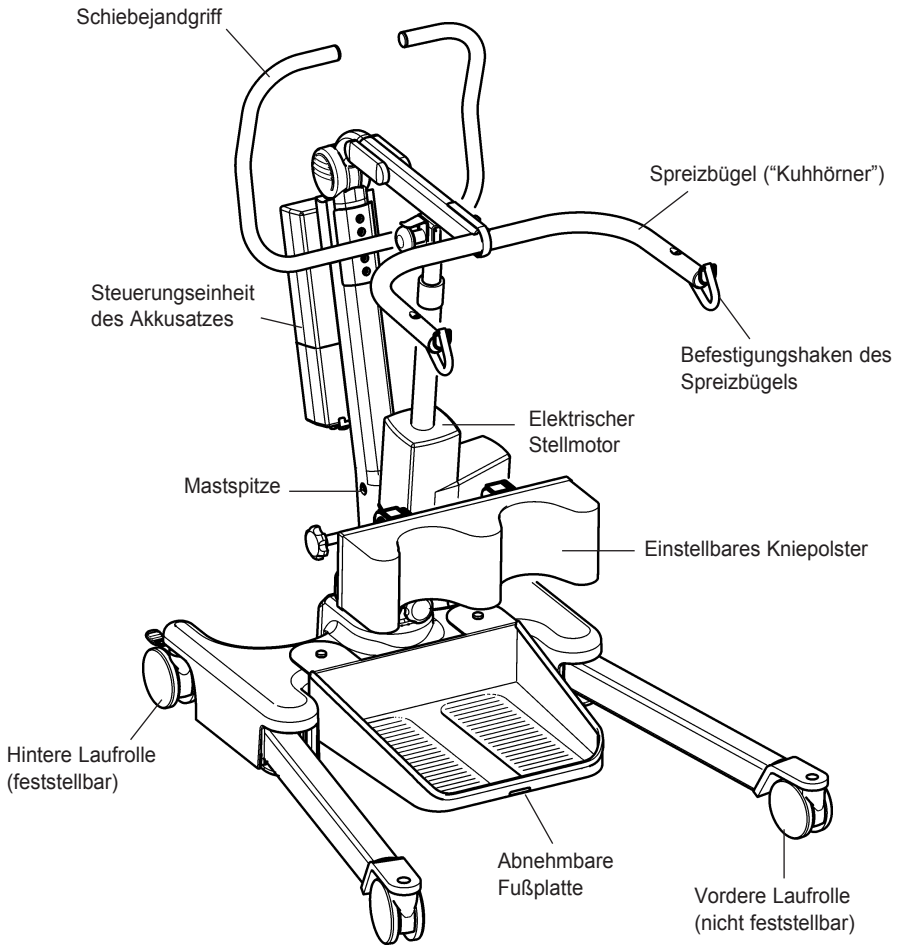
RECUERDE: Póngase en contacto con su distribuidor autorizado o agente técnico por adquisiciones, reparaciones, servicio y mantenimiento certificados.

Su distribuidor:

Inhalt

1. Oxford Ascend Patientenlifter.....	81
2. Einführung: Über den Lifter.....	82
3. Montage und Inbetriebnahme.....	83
4. Bedienungshinweise für Gurte.....	87
5. Heben Mit Einem Oxford Ascend.....	88
6. Sicherheitshinweise.....	89
7. Smart Monitor und Handbedienung.....	91
8. Betriebshinweise.....	95
9. Aufladen der Akkueinheit.....	97
10. Wartungsplan und tägliche Prüfliste.....	99
11. Technische Daten.....	101
12. Garantie.....	104

1. Oxford Ascend Patientenlifter



2. Einführung: Über den Lifter

Die Verpackung besteht aus einem festen, zweckmäßig geformten Versandkarton für den sicheren Transport des Lifters.

Mit jedem Lifter werden die zugehörigen Dokumente in einer beiliegenden Tasche geliefert, die für die spätere Verwendung sicher aufbewahrt werden müssen.

- PRÜFZERTIFIKAT
- HÄNDLER-GARANTIEKARTE (Nur in Europa)
- BENUTZERHANDBUCH
- KUNDENDIENST-KARTE (Nur in Europa)
- PACKPRÜFLISTE

Das PRÜFZERTIFIKAT ist ein wichtiges Dokument und ist für Ihre Versicherungsdokumentation erforderlich. Es ist sechs Monate lang gültig, und nach Ablauf dieser Zeit muss der Lifter gemäß Wartungsplan inspiziert und gewartet werden.

Ihr autorisierter Fachhändler kann in Ländern, in denen dies erforderlich ist (Europa), Wartungen und regelmäßige Inspektionen durchführen. Vergewissern Sie sich, dass der Lifter im entsprechenden Wartungskalender eingetragen ist. Wenn Sie unsicher sind, welche Wartungsanforderungen für Ihren lokalen Markt gelten, erkundigen Sie sich bei Ihrem Händler und/oder bei der zuständigen Behörde und/oder Joerns Healthcare.

Das CE-Zeichen: Der Oxford Ascend Patientenlifter ist mit dem CE-Zeichen versehen und ist mit den folgenden EU-Richtlinien konform:



- Richtlinie für medizinische Geräte (93/42/EEC)
- EMV-Richtlinie (89/336/EEC)
- Niederspannungsrichtlinie (73/23/EEC)

Sachgemäße Anwendung des Lifters

Die bestimmungsgemäße Verwendung dieser Hebevorrichtung ist das sichere Heben und Umlagern einer Person von einer Ruhefläche zu einer anderen (wie etwa von einem Bett in einen Rollstuhl). Joerns Healthcare empfiehlt, für die Umlagerung von Patienten eine vollständige Risikoanalyse durchzuführen und nur über kurze Entfernung umzulagern.

Der Oxford Ascend ist nur für Patienten in SITZENDER Position geeignet, die eine gewisse Gewichtsbelastung vertragen können, zum Stehen aber Hilfe brauchen. Durch das Abnehmen des Fußhalters kann der Oxford Ascend Patientenlifter nach einer sorgfältigen Risikoanalyse auch als Gehhilfe verwendet werden.

Der Oxford Ascend ist dafür ausgelegt, die sichere Handhabung und das sichere Umlagern von Patienten sowohl für den Patienten als auch für die Pflegeperson zu unterstützen und zu fördern.

Die Oxford Ascend Stehhilfe ist für den Einsatz mit den Oxford Gurten ausgelegt. Beispiele für Gurte, die für dieses Gerät geeignet sind, werden wie folgt angegeben:

- Oxford Standgurt
- Oxford Transportgurt

Erwartete Lebensdauer

Oxford Professional Patientenlifter sind für eine Lebensdauer von mindestens zehn (10) Jahren ausgelegt und geprüft, vorausgesetzt, die in diesem Handbuch beschriebenen Verfahren für Gebrauch und Wartung werden eingehalten. Bei einer Verwendung, die nicht den Angaben in dieser Anleitung entspricht, kann die Lebensdauer beeinträchtigt werden.

3. Montage und Inbetriebnahme

Stellen Sie den Versandkarton in einem freien Arbeitsbereich auf und öffnen Sie ihn vorsichtig.

Der Karton enthält folgende Teile:

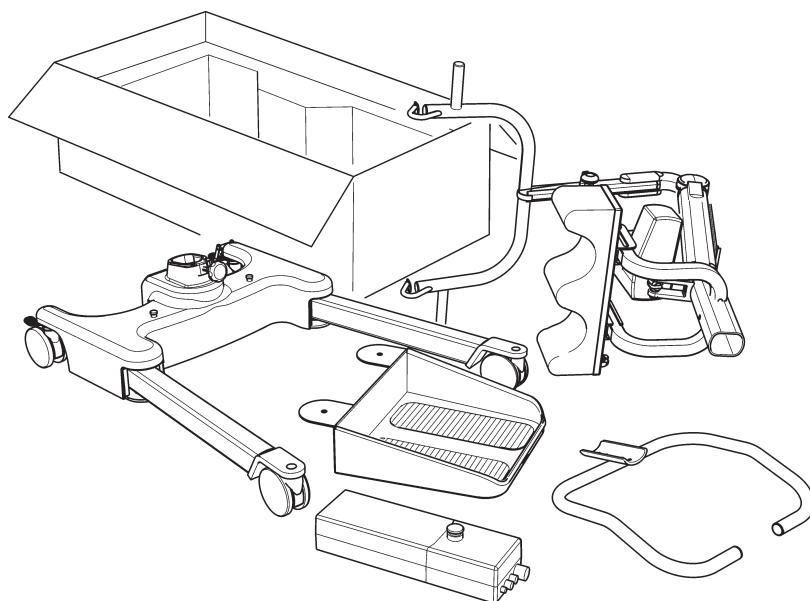
- OXFORD ASCEND LIFTER
- TASCHE MIT DOKUMENTEN
- HANDBEDIENUNG
- AKKUEINHEIT
- LADEKABEL
- TISCHLADEGERÄT/STÄNDER

⚠ WARNUNG

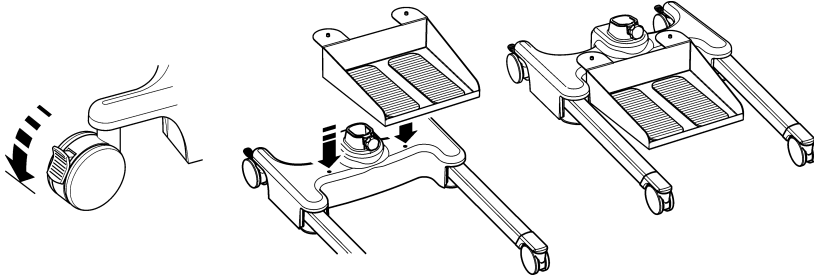
Der Oxford Ascend ist schwer und muss vorsichtig gehoben werden. Holen Sie sich Hilfe, um den Oxford Ascend aus dem Karton zu heben.

Montage

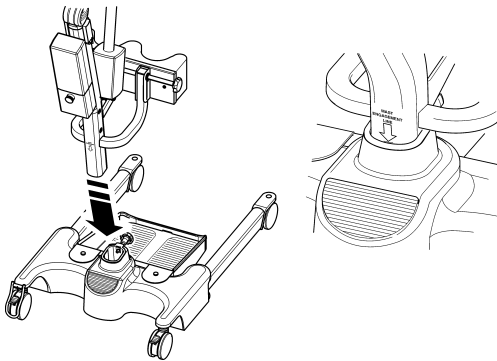
Nehmen Sie alle Teile aus dem Karton heraus, legen Sie sie auf den Boden und achten Sie darauf, dass die Oberfläche des Geräts nicht beschädigt wird.



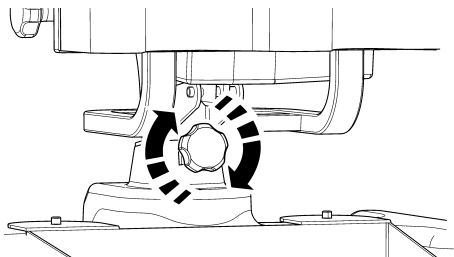
1. Stellen Sie den Rahmen an einer freien Stelle auf, und verriegeln Sie die hinteren Feststellbremsen. Befestigen Sie das Fußtablett an die Basis, indem Sie die Positionierungslöcher auf dem Gussteil der Basis benutzen.



2. Stecken Sie die Mast/Ausleger-Baugruppe in die entsprechende Buchse des Rahmens.



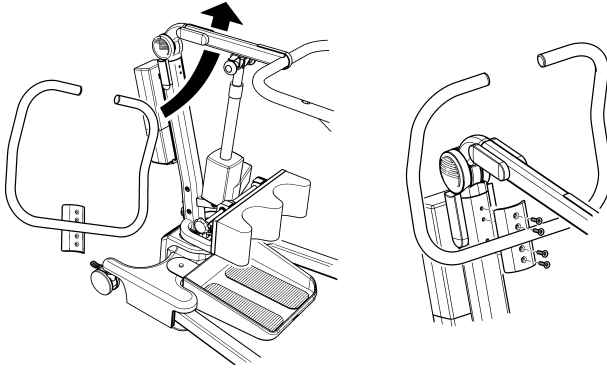
3. Ziehen Sie den Mast mit dem Mast-Feststellknopf fest, der sich vorne am Rahmen befindet.



⚠ WARNUNG

Quetschgefahr: Halten Sie die Finger vom Mastende fern, wenn Sie den Mast in die Rahmenbuchse einsetzen. Das Etikett auf der Mastseite zeigt an, wann der Mast vollständig eingesetzt ist. Erst wenn der Mast ganz eingesetzt ist, ist das elektrische Fahrgestell funktionsbereit.

4. Drehen Sie den Feststellknopf mit der Hand fest.
5. Richten Sie die Handgriff-Einheit mit dem Mast aus, und befestigen Sie sie mit den mitgelieferten Schrauben. Die Schrauben und der zur Befestigung des Handgriffs benötigte Schraubenschlüssel sind in der Gebrauchsanweisungstasche aufbewahrt.



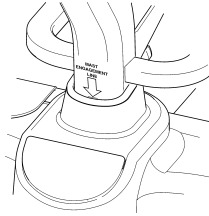
6. Setzen Sie die Akkueinheit in den Lifter ein und vergewissern Sie sich, dass der Verschluss, der die Einheit an ihrem Platz hält, vollständig eingerastet ist. Die Einheit muss mit einem klickenden Geräusch einrasten.

Demontage

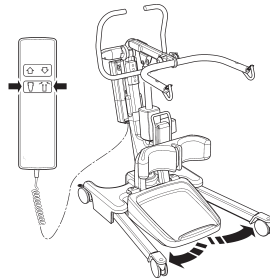
Der Lifter sollte nur bei Bedarf für Wartung, Reparatur oder Transport demontiert werden. Hierzu befolgen Sie die Montageanweisungen in umgekehrter Reihenfolge.

PRÜFEN SIE VOR DEM BETRIEB STETS DIE FOLGENDEN PUNKTE:

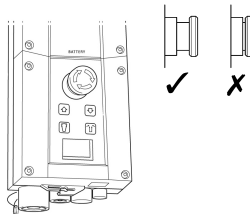
- Der Mast ist ordnungsgemäß eingerastet.



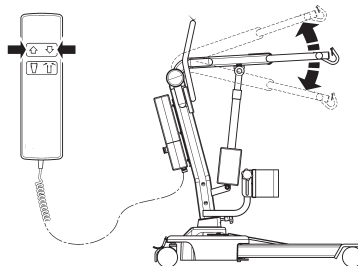
- Das Fahrgestell des Lifters lässt sich einwandfrei spreizen und zusammenführen. (Dies geschieht über die Handbedienung).



- Der rote Not-Aus-Knopf auf der Rückseite der Steuereinheit befindet sich in der Position OFF (Aus).



- Drücken Sie die Aufwärts- und Abwärts-Tasten auf der Handbedienung und vergewissern Sie sich, dass sich der Ausleger hebt und senkt.



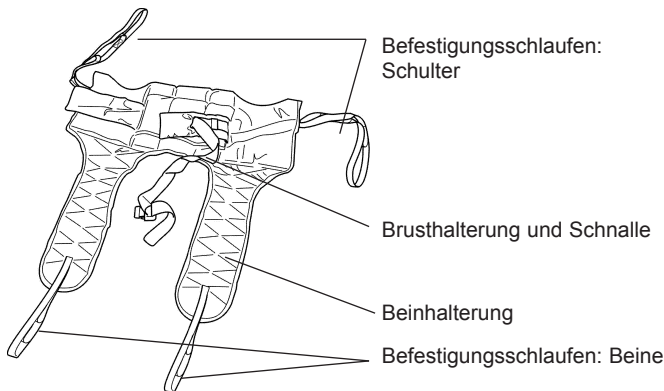
4. Bedienungshinweise für Gurte

Der Oxford Ascend eignet sich für Patienten in SITZENDER Position. Folgende Gurte sind für dieses Gerät geeignet:

- Oxford Transport
- Oxford Standing

Bedienungshinweise für Standhilfegurte: Der Transport- und Standgurt ist ein leicht anzupassender Gurt, der sich für Stand und Unterstützung eignet. Er ist kein Allzweckgurt, weshalb eine qualifizierte Person überprüfen muss, ob sie für die Patienten geeignet sind.

Transportgurt



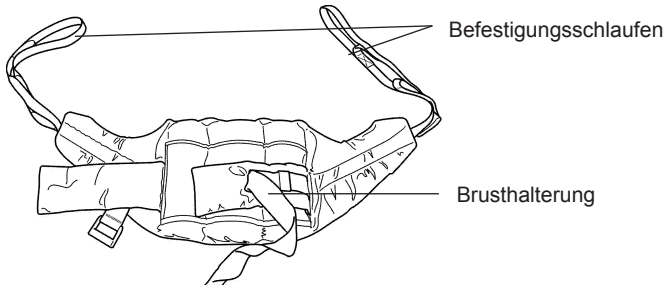
Führen Sie den Gurt über den Rücken des Patienten nach unten, wobei das Ende der bequemen Öffnung über die Wirbelsäulenbasis kommt. Prüfen Sie, ob der Rollteil des Gurts rechtwinklig über den Rücken des Patienten angelegt ist.

Binden Sie den Stützriemen um den Brustkorb des Patienten. Dieser Riemen braucht nicht eng anliegen. Er dient dazu, den Gurt in seiner Position zu halten, während die Schlingen an der Standhilfe befestigt werden. Er kann auf Wunsch auch ganz weggelassen werden. Vergewissern Sie sich, dass sich die Arme des Patienten außerhalb der Gurtes befinden.

Heben Sie das Bein des Patienten und führen Sie den Beinriemen unter dem Bein hindurch und zwischen den Beinen nach oben. Vergewissern Sie sich, dass die Schlinge unter dem Oberschenkel nicht verdreht oder geknickt ist. Wiederholen Sie diese Prozedur für das andere Bein. Befestigen Sie die Schlingen am Rollteil des Gurts an den weißen Haken am Ende der Handgriffe.

Befestigen Sie die Schlingen an den Beinriemen, ohne sie zu überkreuzen, am linken und rechten schwarzen Knopf der Hubgabel. Normalerweise wird die mittlere der drei Schlingen verwendet. Der Patient kann nun von seinem Sitz gehoben werden. Sobald er den Sitz nicht mehr berührt, wird er mehr Bequemlichkeit empfinden, wenn er wieder in die Sitzposition abgesenkt wird.

Standgurt



Platzieren Sie den Gurt hinten am Rücken des Patienten zwischen Schulterblattbasis und unterem Ende des Brustkorbs. Binden Sie den Stützriemen vorne um den Patienten. Dieser Riemen braucht nicht eng anliegen. Er dient dazu, den Gurt in seiner Position zu halten, während die Schlingen an der Standhilfe befestigt werden. Er kann auf Wunsch auch ganz weggelassen werden. Vergewissern Sie sich, dass sich die Arme des Patienten außerhalb des Gurtes befinden.

HINWEIS: Für detaillierte Anleitungen zur Befestigung siehe die Bedienungsanleitung für die Gurte.

⚠ WARNUNG

Joerns Healthcare empfiehlt, die Gurte regelmäßig und vor dem Gebrauch auf Ausfransen oder andere Schäden zu prüfen. Verwenden Sie KEINE Gurte, die abgenutzt oder beschädigt sind.

⚠ WARNUNG

OXFORD EMPFIEHLT DIE VERWENDUNG VON ORIGINAL OXFORD-TEILEN. Bespannungen und Lifts von Oxford sind frei miteinander kombinierbar. Länderspezifische Angaben zur Bespannung und Kompatibilität finden Sie im Etikett der Bespannung oder wenden Sie sich an Ihren örtlichen Händler oder an Joerns Healthcare.

⚠ WARNUNG

Bitte beachten Sie die maximale Tragfähigkeit des Lifters. Die Kapazität der Gurte ist durch die maximale Tragfähigkeit des Lifters begrenzt.

5. Heben Mit Einem Oxford Ascend

Stellen Sie die Standhilfe so auf, dass die Füße des Patienten in den Fußhalter passen und die Knie am Kniepolster anliegen. Befestigen Sie die längeren Schlingen des Gurts zunächst an den grauen Haken am Ende der Handgriffe der Standhilfe. Die Hände des Patienten sollten auf den Handgriffen liegen. (Ist der Patient erst an den Lifter gewöhnt, können die kürzeren Schlingen verwendet werden, um eine aufrechtere Position zu erhalten). Dann drücken Sie auf der Handbedienung die Taste NACH OBEN, um den Patienten in die Standposition zu heben.

6. Sicherheitshinweise

Lesen und befolgen Sie die nachfolgend aufgeführten Sicherheitshinweise. Betrieb und Funktionsweise des Oxford Patientenlifters sind einfach und direkt. Wenn Sie diese grundlegenden Sicherheitsvorkehrungen beachten, ist der Hebebetrieb leicht und problemlos.

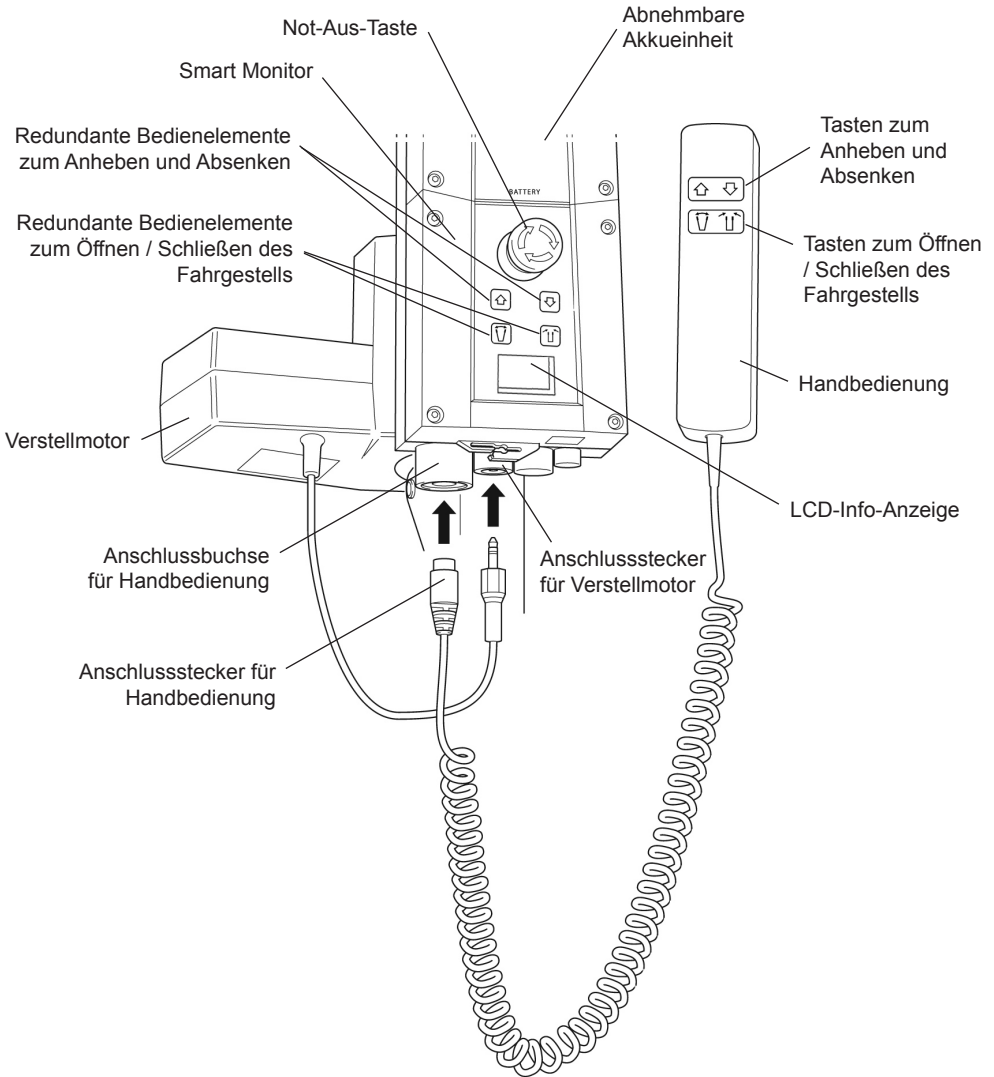
DER "ASCEND" LIFTER DARF NUR VON PERSONEN VERWENDET WERDEN, DIE DIESES BENUTZERHANDBUCH GELESEN UND VERSTANDEN HABEN.

⚠️ WARNUNG

- Planen Sie die mit dem Lifter auszuführenden Aufgaben **STETS**, bevor Sie beginnen.
- Gehen Sie vor **JEDEM** Einsatz des Lifters die **TÄGLICHE PRÜFLISTE** durch.
- Machen Sie sich vor **JEDEM** Heben von Patienten mit den Bedienungselementen und Sicherheitseinrichtungen des verwendeten Lifters vertraut.
- Verwenden Sie **KEINE** Gurte, die nicht ausdrücklich zur Verwendung mit diesem Lifter empfohlen werden.
- Prüfen Sie **STETS**, ob der Gurt für den speziellen Patienten geeignet ist und die korrekte Größe und Tragfähigkeit besitzt.
- Verwenden Sie **NIEMALS** Gurte, die ausgefranst oder beschädigt sind.
- Passen Sie die Gurte **STETS** gemäß den Anweisungen (Benutzerhandbuch) an.
- Überschreiten Sie **NICHT** die zulässige Arbeitsbelastung.
- Vergewissern Sie sich **STETS**, dass die zulässige Arbeitsbelastung des Lifters für das Gewicht des Patienten ausreicht.
- Bedienen Sie den Lifter **STETS** gemäß den Anweisungen im Benutzerhandbuch.
- Bedienungs- oder Sicherheitselemente dürfen **AUF KEINEN FALL** entfernt oder außer Kraft gesetzt werden, um den Lifter-Betrieb zu vereinfachen.
- Heben Sie Patienten **NIEMALS** mit festgestellten Laufrollen an. Der Lifter muss sich stets auf den richtigen Schwerpunkt positionieren können.
- Manövrieren Sie den Lifter **NIEMALS** durch Schieben am Mast, Ausleger oder am Patienten.
- Manövrieren Sie den Lifter **STETS** mit dem vorhandenen Handgriff / Fußschiebepedal.
- Senken Sie den Patienten vor Beginn des Transfers **STETS** auf die niedrigste bequeme Position.

- Schieben Sie den beladenen Lifter NICHT bei Geschwindigkeiten, die über einer langsamen Schrittgeschwindigkeit liegen (3 km/h, 0,8 m/s).
- Schieben Sie den Lifter NICHT über unebene oder raue Flächen, insbesondere wenn er beladen ist.
- Schieben/ziehen Sie den beladenen Lifter NICHT über Hindernisse am Boden.
- Betätigen Sie die Bedienungs-/Sicherheitselemente NIEMALS mit Gewalt. Alle Elemente sind leichtgängig und ohne größere Kraftanstrengung zu betätigen.
- Die MINDESTLAST zum manuellen Absenken des Patientenlifters mit der mechanischen Notabsenkung beträgt 30 kg.
- Parken Sie den beladenen Lifter NICHT auf schiefen Ebenen.
- Verwenden Sie elektrische Lifter NICHT in Duschbädern.
- Laden Sie elektrische Lifter NICHT in Bädern oder Duschräumen auf.
- Heben Sie KEINE Patienten, wenn Sie nicht dafür ausgebildet und kompetent sind.
- IHR Lifter ist zum Heben von Patienten konzipiert worden. Er darf von Ihnen oder anderen für KEINE anderen Zwecke verwendet werden.
- Der Lifter darf in beladenem oder in unbeladenem Zustand KEINE Stufen herunter geschoben werden.
- Führen Sie den beladenen Lifter NICHT über schiefe Ebenen mit mehr als 1:12 (ca. 5 Grad) Gefälle.
- Führen Sie den Lifter NICHT ohne zweiten Helfer über schiefe Ebenen.
- Verwenden Sie ihn NICHT in einer feuchten oder korrosiven Umgebung wie z. B. an einem Schwimmbecken.

7. Smart Monitor und Handbedienung



Bestimmungsgemäße Verwendung

Der Oxford Smart Monitor ist ein Steuersystem für mobile Oxford Patientenlifter. Der Smart Monitor speichert nützliche Servicedaten zum Patientenlifter, die bei Bedarf aufgerufen werden können. Zu den Servicedaten gehören:

- Anzahl der mit Patienten durchgeführten Hübe
- Gesamtleistung des Verstellmotors
- Anzahl der Überlasten am Patientenlifter (Hubversuche über der maximalen Tragfähigkeit)
- Anzahl der Tage seit dem letzten Serviceintervall

In den Oxford Smart Monitor ist ein Mikroprozessor eingebaut, mit dem Servicedaten über die eingebaute LCD-Anzeige ausgelesen werden kann.

Funktionen

- Datensammlung im Steuerkasten mit Anzeige der Daten über eine LCD-Anzeige
- Leistungszähler
- Intelligenter Hubzähler
- Serviceanzeige
- Serviceintervallanzeige
- Überlastinformationen
- 3-stufige Akkuanzeige


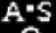
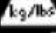

Vorteile

- Mehr Sicherheit für Patienten und Pflegepersonal
- Korrekte Servicedaten auf Knopfdruck verfügbar
- Optimierte Lebensdauer des Produkts
- Einfache Wartung für Mechaniker und Servicemechaniker

LCD Anzeige

Mit dem Oxford Smart Monitor können Daten über die LCD-Anzeige ausgelesen werden. Es können die Gesamtzahl der Hubvorgänge, Gesamtleistung, Überlasten und Anzahl der Tage seit dem letzten Service ausgelesen werden, die zur schnellen und einfachen Beurteilung des Zustands des Hubverstellmotors verwendet werden können.

Der Zugriff auf die Daten erfolgt durch Drücken der Taste 'UP' an der Handbedienung für ½ Sekunde oder der redundanten Taste 'UP' am Smart Monitor.

	12034	— Gesamtzahl der Hübe
	1257000	— Gesamtleistung (Ampere * Sekunden)
	7	— Anzahl der Überlasten
	90 / 180	— Anzahl der Tage (seit dem letzten Service) / Anzahl der Tage (zwischen einem Service und dem nächsten)

Informationen zu Service und Verwendung



Wenn ein Service fällig ist, erscheint das Service-Symbol auf dem Display. Wenn die Handbedienung aktiviert ist, gibt der Smart Monitor auch ein akustisches Signal ab, das den Benutzer darauf hinweist, dass ein Service erforderlich ist.

Das Service-Symbol wird jedes Mal angezeigt, wenn die Taste zum Anheben oder Absenken an der Handbedienung gedrückt wird. Wenn das Service-Symbol angezeigt wird, wenden Sie sich sofort an Ihren autorisierten Fachhändler, um einen Termin für einen Service zu vereinbaren.

Sie können den Patientenlifter für kurze Zeit weiter benutzen, bis ein Service durchgeführt wurde.

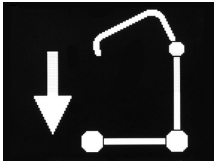


Wenn der Patientenlifter wegen einer Überlast (ein Versuch, mehr als die maximal zulässige Tragkraft anzuheben) stoppt, erscheint das Überlast-Symbol auf der LCD-Anzeige und der Patientenlifter funktioniert erst wieder, wenn die zusätzliche Last (über der maximalen zulässigen Tragkraft) abgenommen wurde.

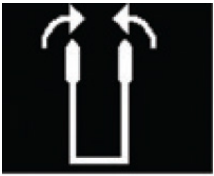
⚠️ WARNUNG

Wenn die LCD-Anzeige auf Ihrem Smart Monitor eine Überlast erfasst hat, empfiehlt Joerns Healthcare, vor der weiteren Benutzung ALLE täglichen Routineprüfungen am Patientenlifter durchzuführen (eine Liste der täglichen Überprüfungen finden Sie im Benutzerhandbuch des Patientenlifters). Joerns Healthcare empfiehlt auch, dass Sie sich für weitere Informationen an Ihren autorisierten Oxford Fachhändler wenden.

Eingebaute redundante Steuerung



Mit der eingebauten redundanten Steuerung kann der Patientenlifter im Notfall angehoben oder abgesenkt werden.

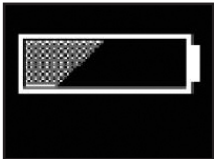


Wenn Ihr Patientenlifter mit einer elektrischen Fahrgestellpositionierung ausgestattet ist, sind redundante Bedienelemente zum Öffnen und Schließen des Fahrgestells vorhanden.

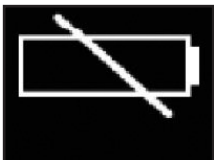
Angaben zum Akku



Wenn auf dem Display ein voller Akku angezeigt wird, heißt das, dass der Akku ganz aufgeladen und der Patientenlifter betriebsbereit ist.



Wenn auf dem Display eine halb leerer Akku angezeigt wird, heißt das, dass der Akku aufgeladen werden muss.



Das Symbol mit dem leeren Akku auf dem Display zeigt an, dass der Akku ganz leer ist und sofort aufgeladen werden sollte.

⚠️ WARNUNG

Um eine mögliche Dauerschädigung des Akkus zu vermeiden, sollte der Akku aufgeladen werden, wenn das halb leere Akkusymbol auf dem Display angezeigt wird.

8. Betriebshinweise

1. Einstellen der Fahrgestellbreite

Die Breite des Fahrgestells am Oxford Ascend ist elektrisch einstellbar. Das Fahrgestell kann gespreizt werden, um Sessel oder Rollstühle zu umschließen. Für den Transfer durch enge Türen und Durchgänge sollte das Fahrgestell zusammengeführt werden.

Elektrisches Einstellen der Fahrgestellbreite - Drücken Sie auf der Handbedienung die entsprechenden Tasten. Das Fahrgestell wird festgestellt, wenn der Handbedienungsschalter losgelassen wird.

2. Laufrollen und Feststellbremsen

Der Lifter besitzt zwei feststellbare Laufrollen, die beim Abstellen benutzt werden. Beim Heben müssen die Laufrollen frei und nicht festgestellt sein. Der Lifter kann sich dann zum Schwerpunkt des Lifters hin bewegen. Wenn Sie die Bremse betätigen, kann der Patient beim Heben mit festgestellten Laufrollen möglicherweise zum Schwerpunkt schwenken, was beunruhigend oder unangenehm sein kann.

3. Heben und Senken des Auslegers

Die Hubbewegung des Auslegers erfolgt durch einen leistungsstarken elektrischen Stellmotor, der mit einer einfachen Handbedienung gesteuert wird. Auf der Handbedienung befinden sich zwei Tasten mit den Richtungspfeilen AUFWÄRTS und ABWÄRTS. Der Stellmotor stoppt automatisch in der oberen bzw. unteren Endlage. Die Handbedienung ist an einer Buchse unten an der Steuereinheit angeschlossen.

4. Not-Aus-Taste

Die rote Not-Aus-Taste befindet sich auf der Vorderseite der Steuereinheit und wird durch Drücken ausgelöst. In diesem Fall wird die gesamte Stromzufuhr zum Lifter unterbrochen. Um den Not-Aus-Zustand aufzuheben, wird die Taste gegen den Uhrzeigersinn gedreht und losgelassen.

5. Redundante Steuerung

Alle Oxford Patientenlifter sind mit Tasten zum Anheben und Absenken am Steuerkasten ausgestattet. Sie befinden sich unter der Not-Aus-Taste und können beim Ausfall der Handbedienung zum Absenken/Anheben des Patienten verwendet werden.

6. Mechanische Notabsenkung

Für den Fall eines kompletten Stromausfalls ist der elektrische Stellmotor mit einem mechanischen Senkmechanismus (ROTER KNOPF) ausgestattet. Der Mechanismus funktioniert nur, wenn sich der Lifter unter Last befindet. Zum Auslösen ziehen Sie den Mechanismus nach oben. Die Vorrichtung senkt sich langsam ab.

HINWEIS: Die MINDESTLAST zum manuellen Absenken des Patientenlifters mit der mechanischen Notabsenkung beträgt 30 kg.

7. Akkus

Die Akkus werden durch einen LADEZUSTANDSALARM vor zu starker Entladung geschützt. Dieser Alarm ertönt bei Betätigung der Handbedienung, wenn die Akkus aufgeladen werden müssen. Der Alarmton wird nur dann ausgelöst, wenn die Handbedienung betätigt wird. **DIESER ALARM IST UNBEDINGT ZU BEACHTEN.** Führen Sie den Hebevorgang zu Ende und laden Sie die Akkus auf (siehe „Aufladen der Akkueinheit“). Der Akkuladestand wird an der Anzeige an der Handbedienung angezeigt.

VORSICHT

Akku, Ladegerät, Handsteuerung, Steuereinheit und Stellmotor dürfen nur von autorisiertem Personal geöffnet werden. (Wenden Sie sich wegen Garantie und Reparaturen an Ihren Händler).

8. Gurte

Der Oxford Ascend eignet sich für Patienten in SITZENDER Position. Folgende Gurte sind für dieses Gerät geeignet:

- Oxford Transport
- Oxford Standing

9. Einstellen des Kniepolsters

Der Ascend hat ein einstellbares Kniepolster. Der Bewegungsumfang beträgt ca. 15 cm. Das Kniepolster wird eingestellt, indem der Knopf auf der linken Seite des Polsters gelöst wird, sodass die Baugruppe lose genug ist, um das Kniepolster entweder nach oben oder nach unten zu bewegen.

10. Entfernbare Fußplatte

Der Ascend besitzt eine entfernbare Fußplatte. Um die Fußplatte zu entfernen, stellen Sie sich vor das Gerät und heben Sie die Fußplatte von der Mitte der Baugruppe aus nach oben. **HINWEIS:** Heben Sie die Fußplatte vorsichtig von ihrer unteren Position hoch.

9. Aufladen der Akkueinheit

Wenn die Akkueinheit geladen werden muss, wird sie vom Patientenlifter abgenommen und an ein externes Ladegerät angeschlossen.

Joerns Healthcare empfiehlt, eine zusätzliche Akkueinheit zu beschaffen, damit immer eine Akkueinheit geladen werden kann.

1. Nehmen Sie die Akkueinheit aus dem Patientenlifter heraus. Die Einheit wird von einem einfachen Verschluss oben an der Akkueinheit gehalten. Wenn Sie den Verschluss anheben, wird die Akkueinheit freigegeben.
2. Schließen Sie die Akkueinheit an das Ladegerät an. Die Akkueinheit wird genauso am Ladegerät positioniert und verriegelt wie am Patientenlifter.
3. Stecken Sie den Netzstecker des Ladegeräts in eine geeignete Netzsteckdose ein und schalten Sie die Stromversorgung EIN.
4. Der Ladevorgang erfolgt automatisch und die Akkus sind nach vier (4) Stunden ganz aufgeladen.
HINWEIS: Auch wenn das Ladegerät für längere Zeit eingesteckt bleibt, sind die Akkus vor Überladung geschützt.
 - a) Grünes Licht - Zeigt an, dass es eingeschaltet ist.
 - b) Gelbes Licht - Zeigt an, dass der Akku geladen wird.
 - c) Batterie ist ganz aufgeladen, wenn das gelbe Licht ausgeht.

HINWEIS: Es wird empfohlen, den Akku sofort nach der Anlieferung aufzuladen.

5. Um den Patientenlifter wieder in Betrieb zu nehmen, schalten Sie die Stromversorgung AUS und nehmen Sie die Akkueinheit vom Ladegerät ab. Setzen Sie die Akkueinheit in den Patientenlifter ein und vergewissern Sie sich, dass der Verschluss, mit dem die Einheit gesichert ist, ganz eingerastet ist. Die Einheit muss mit einem Klickgeräusch einrasten. Das Laden der elektrischen Oxford Patientenlifter ist einfach, aber es ist wichtig, dass die Ladeanleitung genau befolgt wird. Beachten Sie dazu bitte die folgenden Punkte, die Ihnen dabei helfen, Probleme mit entladenen Akkus zu vermeiden.

WARNUNG

- **Akku, Ladegerät, Handsteuerung und Steuereinheit dürfen NUR von autorisiertem Personal geöffnet werden. (Wenden Sie sich wegen Garantie und Reparaturen an Ihren Fachhändler).**
- **Die Akkupole/Pole des Ladegeräts NICHT berühren.**
- **Die Akkus IMMER ganz aufladen. Lassen Sie die Akkueinheit immer aufladen, wenn sie nicht benutzt wird. Wenn es für Sie einfacher ist, laden Sie sie jede Nacht auf. Das Ladegerät schützt die Akkueinheit vor dem Überladen.**
- **Die Akkus NIE ganz entladen lassen. Sobald das Alarmsignal ertönt, den Hebevorgang zu Ende führen und die Akkus aufladen.**
- **Um eine mögliche Dauerschädigung des Akkus zu vermeiden, sollte der Akku aufgeladen werden, wenn das halb leere Akkusymbol auf dem Display angezeigt wird.**
- **Den Akku IMMER in regelmäßigen Abständen nachladen, wenn er für längere Zeit nicht verwendet wird.**

- **STETS** darauf achten, dass die Netzspannung zum Ladegerät ausgeschaltet ist, bevor das Akkupaket angeschlossen oder abgenommen wird.
- Das Akkupaket **NIE** am Ladegerät angeschlossen lassen, wenn die Netzspannung zum Ladegerät ausgeschaltet ist.
- **DAS LADEGERÄT NICHT** eingeschaltet lassen, wenn der Akku nicht angeschlossen ist.
- **DEN PATIENTENLIFTER WÄHREND DES LADEVORGANGS NICHT** benutzen.
- **ÜBERPRÜFEN** Sie vor dem Verfahren, dass der Patientenaufzug nicht aufgeladen wird, da der elektrische Anschluss sonst dadurch beschädigt werden kann.
- **DAS LADEGERÄT KEINESFALLS** durch Ziehen am Kabel ausstecken.
- **ACHTEN SIE DARAUF**, dass Sie nicht über das Ladekabel stolpern.
- **LADEN SIE ELEKTRISCHE PATIENTENLIFTER NICHT** in Bädern oder Duschräumen auf.

10. Wartungsplan und tägliche Prüfliste

Alle Oxford Produkte sind so konzipiert, dass sie nur ein Minimum an Wartung benötigen. Einige Sicherheitsprüfungen und -prozeduren sind jedoch unerlässlich. Im Folgenden sind die TÄGLICH auszuführenden Aufgaben aufgeführt. Tägliche Überprüfungen und alle sechs Monate Wartung, Inspektion und Prüfung gewährleisten, dass ein Lifter in optimalem, sicherem Funktionszustand bleibt. Eine Liste der Ersatzteile erhalten Sie auf Anfrage.

Die BELASTUNGSPRÜFUNG und -zertifizierung sollte nur von qualifiziertem Personal oder von autorisierten Servicevertretern / Händlern durchgeführt werden.

TÄGLICHE PRÜFLISTE: Joerns Healthcare empfiehlt dringend, dass der Lifter täglich vor der Benutzung auf folgende Punkte überprüft wird:

- VERGEWISSEN SIE SICH, dass sich der Lifter frei auf den Laufrollen bewegen kann.
- UNTERSUCHEN SIE, ob der Spreizbügel ("Kuhhörner") fest am Ausleger angebracht ist.
- PRÜFEN SIE Gurthaken und Verbindungsclips am Spreizbügel und Ausleger auf übermäßigen Verschleiß.
- VERGEWISSEN SIE SICH, dass das Fahrgestell sich einwandfrei öffnet und schließt.
- BETÄTIGEN SIE die Handbedienung, um sicherzustellen, dass sich der Ausleger einwandfrei hebt und senkt.
- PRÜFEN SIE die Funktionsfähigkeit der Not-Aus-Taste (nur bei Elektro-Ausführung).
- PRÜFEN SIE Gurte auf Ausfransen und andere Schäden. Beschädigte Gurte dürfen NICHT verwendet werden.
- PRÜFEN SIE, ob am Lifter ein Ladezustandsalarm vorliegt, wenn die Handbedienung betätigt wird. Wenn der Alarm ertönt, darf der Lifter NICHT verwendet werden und muss sofort aufgeladen werden.

Wartung, Inspektion und Prüfung

Joerns Healthcare empfiehlt eine regelmäßige gründliche Inspektion und Prüfung des Oxford Ascend Lifters und der Zubehörteile (Gurte, Waagen usw.). Die Häufigkeit der Inspektionen ist je nach Einsatzort unterschiedlich, d.h., Sie müssen sich bei Ihrem Händler oder bei der zuständigen Behörde vor Ort erkundigen, wie oft eine Inspektion durchgeführt werden muss. Die Untersuchung und der Test müssen nach den in diesem Handbuch angegebenen Empfehlungen und Verfahrensweisen durchgeführt werden. Joerns Healthcare empfiehlt, dass Wartung, Inspektion und zertifizierte Prüfungen nur von autorisierten Servicevertretern / Händlern durchgeführt werden.

HINWEIS: Diese Empfehlungen entsprechen den Vorschriften für Großbritannien und Nordirland gemäß No2307 Health and Safety: The Lifting Operations and Lifting Equipment Regulations 1998 (Vorschriften zur Arbeitssicherheit für Hebevorgänge und Lifter). Außerhalb von Großbritannien und Nordirland gelten die Vorschriften des jeweiligen Landes.

***DIESE PRÜFUNGEN SOLLTEN UMFASSEN:**

	Anfänglich	Vor dem Gebrauch	Wartungsintervalle
1. AUSLEGER: Prüfen Sie die Verbindung von Ausleger und Mast. Stellen Sie sicher, dass der Ausleger sich nur geringfügig seitlich bewegen und sich frei im Lager des Auslegers drehen kann.	✓	✓	✓
2. BEFESTIGUNGSPUNKTE FÜR DIE GURTE: Überprüfen Sie die Gurthaken und die Verbindungsclips am Spreizbügel und am Ausleger auf übermäßigen Verschleiß.	✓	✓	✓
3. MAST: Prüfen Sie die Funktion des Mast-Feststellknopfes. Achten Sie darauf, dass der Mast in der entsprechenden Buchse einrastet.	✓	✓	✓
4. SPREIZBÜGEL: Überprüfen Sie, dass der Spreizbügel eingerastet ist und sich in der richtigen Position befindet.	✓	✓	✓
5. STELLMOTOR: Der Stellmotor muss, abgesehen vom Prüfen auf korrekten Betrieb und außergewöhnliche Geräusche, nicht gewartet werden.			✓
6. KNIEPOLSTER: Überprüfen Sie, dass der Verstellmechanismus für die Kniepolster sicher befestigt ist.	✓	✓	
7. SMART MONITOR: Überprüfen Sie die Funktion der Not-Aus-Taste. Überprüfen Sie, dass der richtige Anschluss in die Buchse an der Handbedienung eingesteckt ist. Überprüfen Sie die Funktion der Handbedienung. Überprüfen Sie die redundanten Bedienelemente und dass sie ordnungsgemäß funktionieren. Hinweis: Die MINDESTLAST zum manuellen Absenken des Patientenlifters mit der mechanischen Notabsenkung beträgt 30 kg.	✓	✓	✓
8. AKKUS: Die Akkus befinden sich in der Akkueinheit und müssen, abgesehen vom regelmäßigen Aufladen (siehe "Aufladen der Akkueinheit"), nicht gewartet werden. Achten Sie darauf, dass die Anschlüsse sauber bleiben.			✓
9. AKKUS (Laden): Vergewissern Sie sich, dass der Lifter keinen Alarm für niedrigen Akkuladestand auslöst, wenn die Handbedienung betätigt wird. Wenn der Alarmton ertönt, benutzen Sie das Gerät nicht und laden Sie den Akku sofort auf.	✓	✓	
10. EINSTELLEN DER FAHRGESTELLBREITE: Prüfen Sie, dass das Fahrgestell nach innen und nach außen in vollem Umfang verstellt werden kann.	✓	✓	✓
11. LAUFROLLEN: Prüfen Sie, dass die Laufrollen fest mit dem Fahrgestell verbunden sind. Vergewissern Sie sich, dass die Laufrollen frei beweglich sind.	✓	✓	✓
12. REINIGUNG: Verwenden Sie zum Reinigen herkömmliche Seife und Wasser und/oder Desinfektionsmittel für harte Oberflächen. Starke chemische Reinigungsmittel oder Scheuermittel sollten nicht verwendet werden, da diese die Oberfläche des Lifters angreifen. Setzen Sie die elektrischen Teile keiner Feuchtigkeit aus.		✓	✓
13. BELASTUNGSPRÜFUNG: Die Belastungsprüfung sollte gemäß den vor örtlichen gültigen Prüfverfahren erfolgen. Es wird eindringlich empfohlen, dass die Prüfungen nur von autorisierten Servicevertretern durchgeführt werden.			✓
14. FAHRGESTELL UND ROLLEN: Vergewissern Sie sich, dass das Fahrgestell auf glattem, ebenem Boden steht (alle vier Rollen haben Bodenkontakt).	✓	✓	✓
15. GURTE: Prüfen Sie auf Verschleiß und Ausfransen.	✓	✓	✓
16. SCHMIERUNG: Schmieren Sie die Drehgelenke mit einem Öl auf Silikonbasis sowie Mast- und Auslegerverbindungen, Pedale, Gelenk des Spreizbügels (nur nach Bedarf).			✓
17. HANDBEDIENUNG: Vergewissern Sie sich, dass sie vollständig in die Steuerung eingesteckt ist.	✓	✓	

11. Technische Daten

Zulässige Belastung	375 lbs	170 kgs
Maximale Gesamtlänge	43,3 Zoll	1100 mm
Minimale Gesamtlänge	40,8 Zoll	1035 mm
Maximale Gesamthöhe	66,5 Zoll	1690 mm
Minimale Gesamthöhe	48,4 Zoll	1230 mm
Spreizbügel, maximale Höhe	64,7 Zoll	1644 mm
Spreizbügel, minimale Höhe	37 Zoll	940 mm
Wenderadius	51,9 Zoll	1320 mm
Fahrgestell, gespreizt - Äußere Breite	39,1 Zoll	995 mm
Fahrgestell, gespreizt - Innere Breite	34,8 Zoll	885 mm
Fahrgestell, geschlossen - Äußere Breite	24,8 Zoll	630 mm
Fahrgestell, geschlossen - Innere Breite	20 Zoll	510 mm
breitester punkt (zwischen Unterstützungshandgriffen)	28,9 Zoll	735 mm
Gesamthöhe des Fahrgestells	4,7 Zoll	120 mm
Bodenabstand	1,4 Zoll	35 mm
Doppelaufrollen vorne	4 Zoll	100 mm
Laufrollen mit Feststellbremse hinten	4 Zoll	100 mm

Gewicht

Mast, Fahrgestell, Ausleger	97 lbs	44,0 kgs
Akkueinheit	6,6 lbs	3,0 kgs
Gesamt	103,6 lbs	47,0 kgs
Fahrgestell (ohne Akku)	42,9 lbs	19,5 kgs
Mast und Ausleger (ohne Akku)	45,1 lbs	20,5 kgs

HINWEIS: Fertigungstoleranzen gelten für alle Maße.

Elektrische Daten

AKKUS	24 Volt wiederaufladbar, geschlossene Blei-Säure-Akkus
AKKUKAPAZITÄT	3,2 Amperestunden
EINGANGSSPANNUNG DES LADEGERÄTS (NENNWERT)	100 - 240 V WS// 24 V GS 50/60 Hz
AUSGANGSSPANNUNG DES LADEGERÄTS (NENNWERT)....	29,5 V GS, Max. 19 W

Überspannungsschutz

LADEGERÄT	KLASSE II
LIFTER	INTERNE STROMQUELLE

Überspannungsschutzgrad

LADEGERÄT	TYP B
LIFTER	TYP B

Umgebungsbedingungen

Außerhalb dieses Bereichs können Funktionalität und Sicherheit nicht gewährleistet werden

Betriebs:

temperatur	5°C bis 35°C
Relative Luftfeuchte.....	20% bis 90% bei 30°C - nicht kondensierend
Luftdruck.....	700 bis 1060 hPa

Verstauung:

Temperatur	-10°C bis +50°C
Relative Luftfeuchte.....	20% bis 90% bei 30°C - nicht kondensierend
Luftdruck.....	700 bis 1060 hPa

IP-BEWERTUNG

Steuereinheit	IPX4
Stellmotor	IPX4
Externes Ladegerät	IPX5
Akku	IPX5
Handbedienung	IPX5

EINSATZZYKLEN

Stellmotor	10% (2 min./18 min.)
Ladegerät	Ca. 4 Std.

AKUSTIK

A-bewerteter Schallleistungspegel	55,6 dB (A)
---	-------------

Wichtige Symbole

Die folgenden Symbole werden für das Ladegerät, die Steuereinheit und den Akku verwendet:



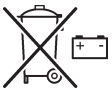
Typ B Gerät, entsprechend EN 60601-1



Klasse 2 Gerät



Das Entsorgen von Ladegerät und Steuereinheit muss getrennt vom Haushaltsmüll erfolgen.



Das Entsorgen von Akkus muss getrennt vom Haushaltsmüll erfolgen.



Das Entsorgen von Elektronik muss getrennt vom Haushaltsmüll erfolgen.



Für den Einsatz in Innenräumen



ACHTUNG: Begleitdokumente sorgfältig lesen.

12. Garantie

Joerns Healthcare verfügt über ein Netz von autorisierten Fachhändlern und Kundendienstvertretungen, die Ihre Anfragen in Bezug auf Kauf, Garantie, Reparaturen und Wartung gerne beantworten. Wir empfehlen, die Inbetriebnahme unserer Produkte von Ihrem autorisierten Fachhändler oder Ihrer Kundendienstvertretung durchführen zu lassen.

Der Fachhändler oder die Kundendienstvertretung sind für das Garantieprogramm zuständig, deshalb ist es wichtig, dass Sie Namen, Adresse und Telefonnummer notieren, damit Sie sich an diesen bzw. diese wenden können, falls ein Problem auftritt. Wenn Sie sich nicht sicher sind, wo Ihr Patientenlifter gekauft wurde, teilen Sie Joerns Healthcare die Seriennummer des Patientenlifters mit und wir finden den Lieferanten für Sie.

Alle Garantieansprüche sind von der ordnungsgemäßen Benutzung und Wartung gemäß dem Benutzerhandbuch abhängig, das mit allen Patientenliftern mitgeliefert wird. Die Garantie gilt nicht für Schäden, die durch die Benutzung in ungeeigneten Umgebungsbedingungen oder dadurch verursacht wurden, dass die Wartung nicht gemäß dem Benutzer- und Wartungshandbuch durchgeführt wurde. Die Ihnen zustehenden gesetzlichen Rechte bleiben davon unberührt.

DENKEN SIE DARAN: Wenden Sie sich für Käufe, Reparaturen, Wartung und zertifizierte Wartung immer an Ihren autorisierten Fachhändler oder an Ihre Kundendienstvertretung.

Ihr Vertriebspartner:

